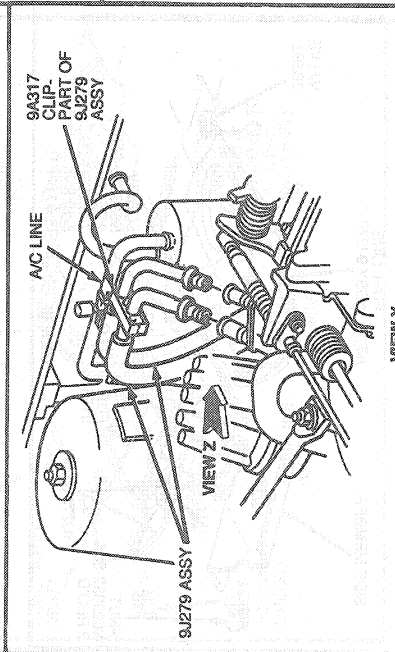
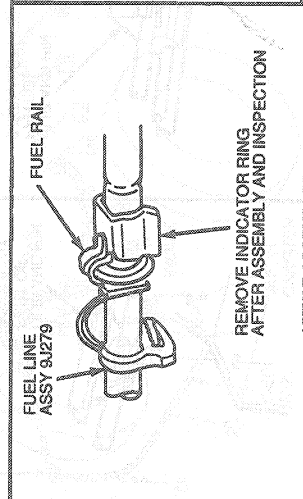
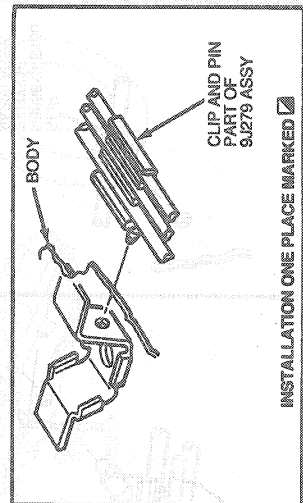
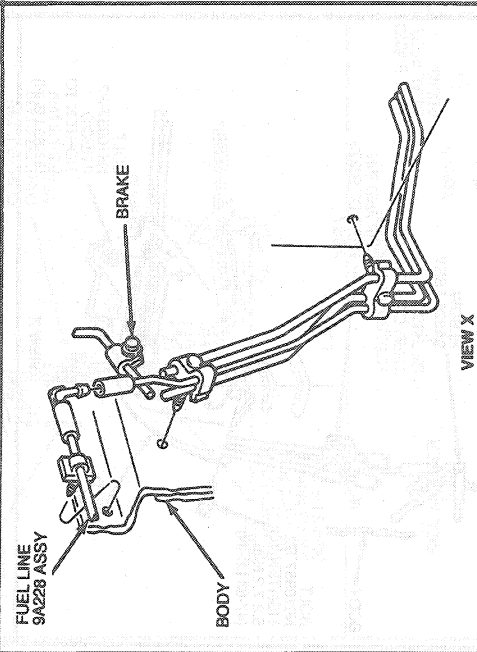
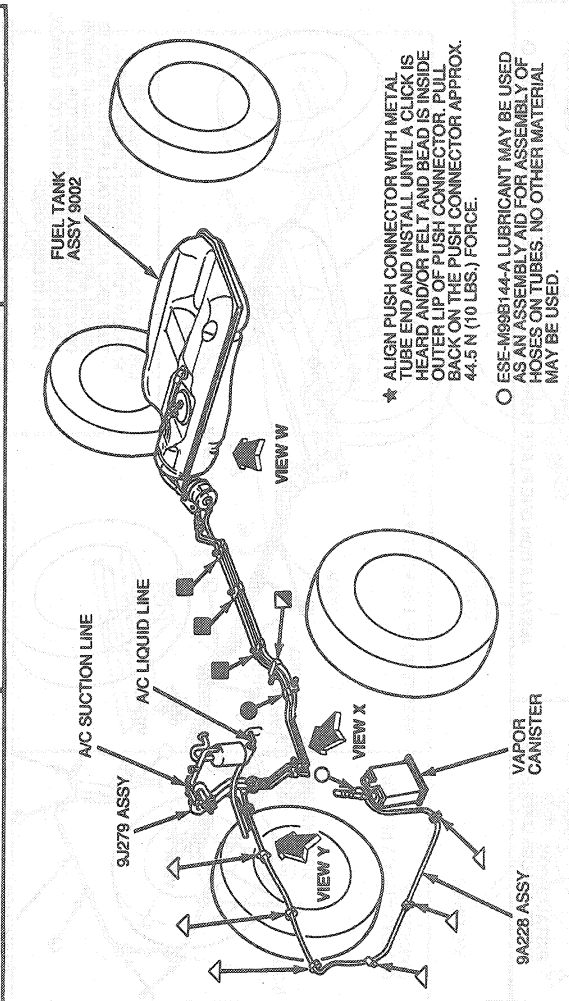
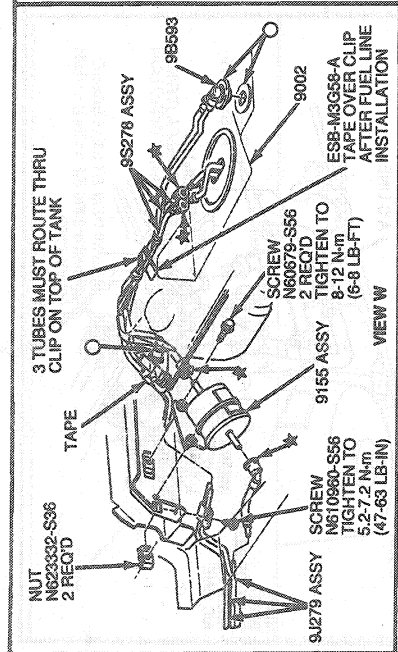
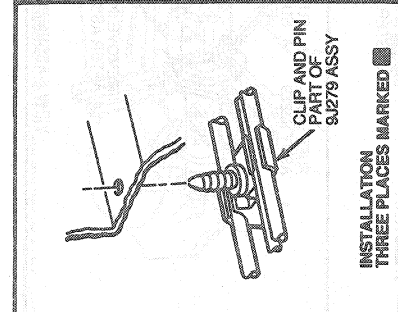
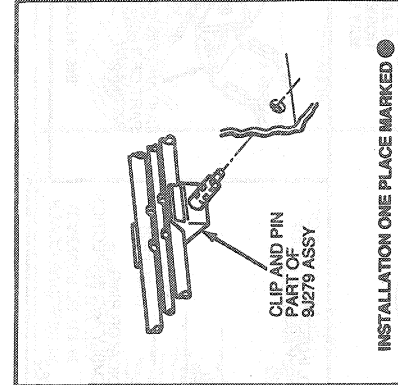
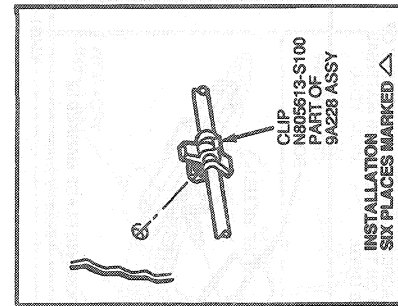


REMOVAL AND INSTALLATION (Continued)

(Continued) INSTALLATION (Continued)

3.8L Police



★ ALIGN PUSH CONNECTOR WITH METAL TUBE END AND INSTALL UNTIL A CLICK IS HEARD AND/OR FELT AND BEAD IS INSIDE OUTER LIP OF PUSH CONNECTOR. PULL BACK ON THE PUSH CONNECTOR APPROX. 44.5 N (10 LBS.) FORCE.

○ ESB-M998144-A LUBRICANT MAY BE USED AS AN ASSEMBLY AID FOR ASSEMBLY OF HOSES ON TUBES. NO OTHER MATERIAL MAY BE USED.