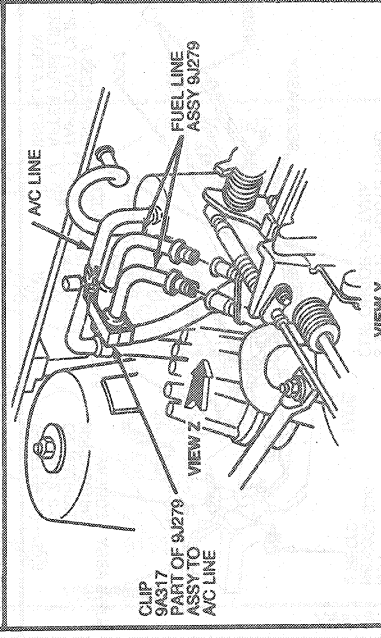
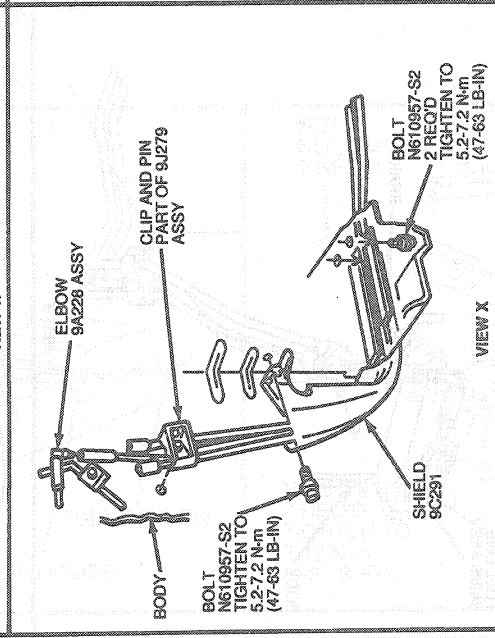
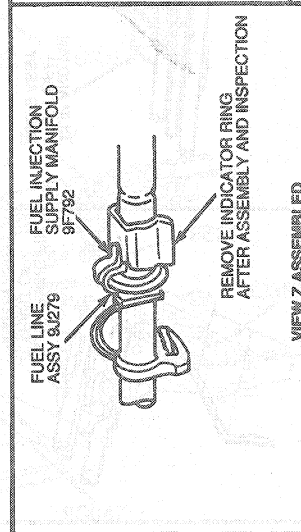
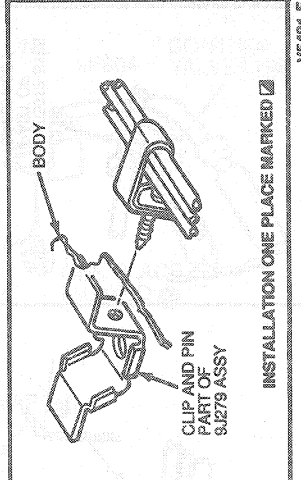
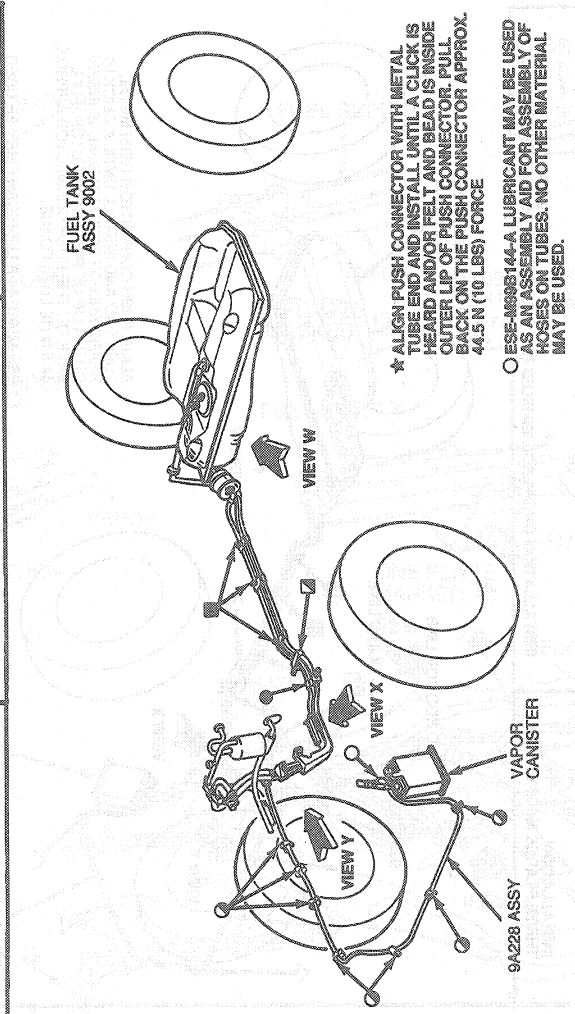
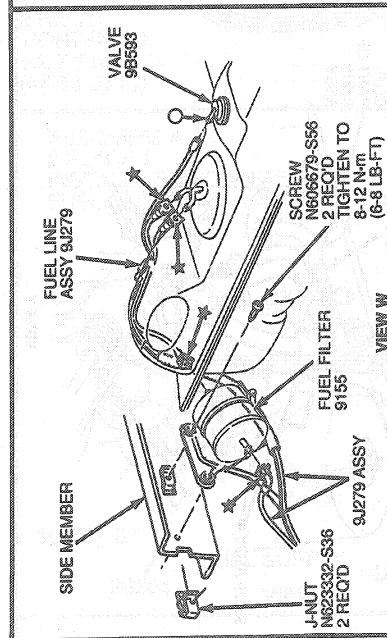
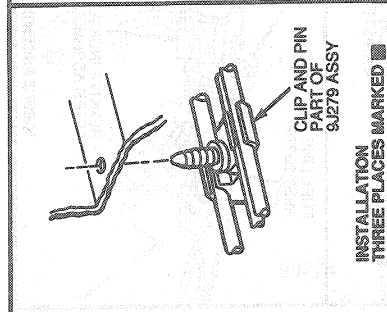
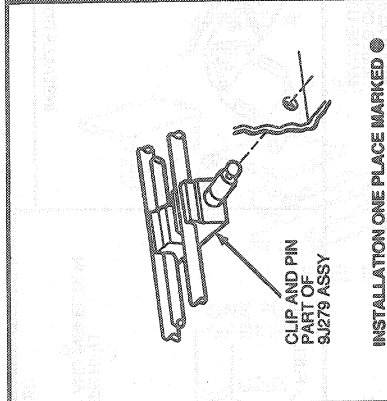
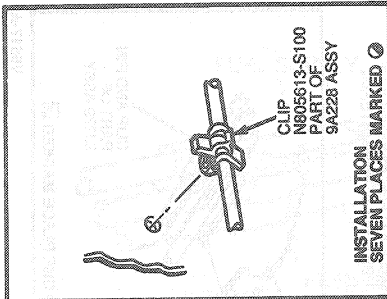


### REMOVAL AND INSTALLATION (Continued)

#### 3.8L Engine (Except Police)



V5431-E