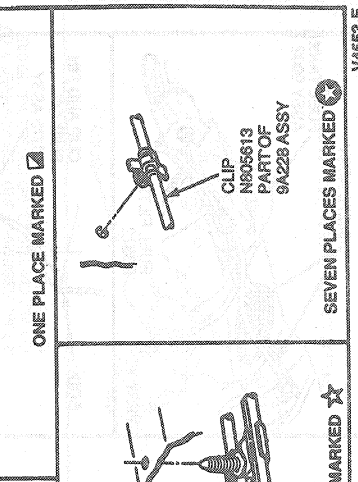
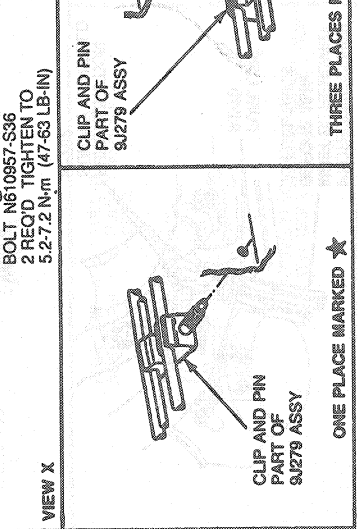
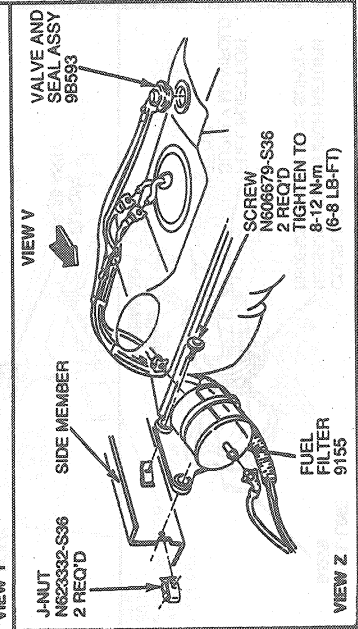
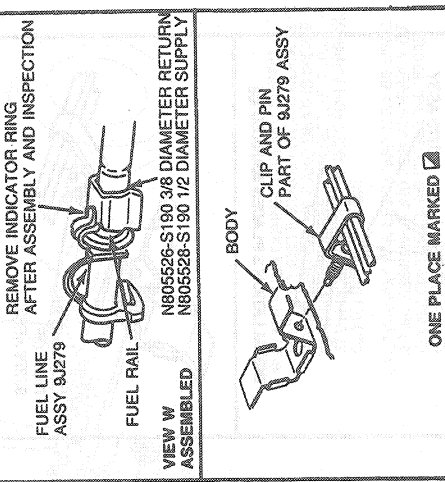
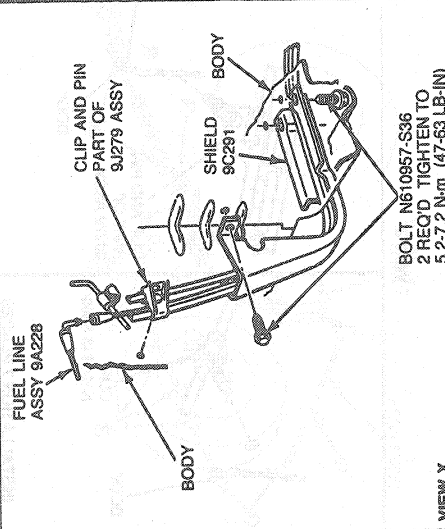
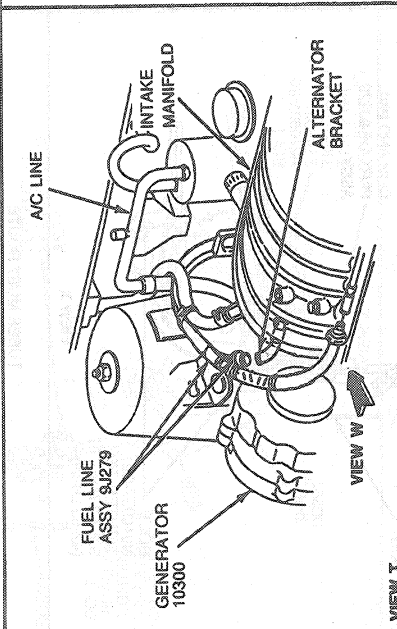
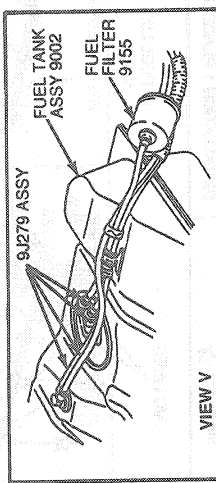
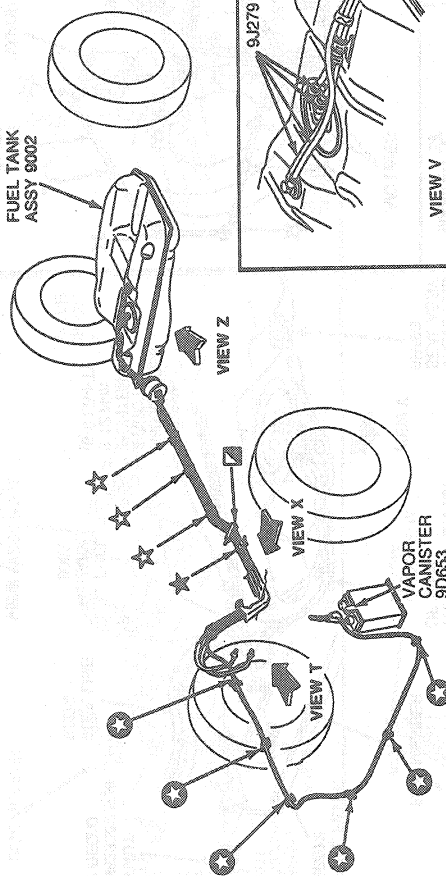


REMOVAL AND INSTALLATION (Continued)

3.0L Engine

- ★ INSTALL HOSE ON TUBE 15mm (.62 INCH)
- ALIGN PUSH CONNECTOR WITH METAL TUBE END AND INSTALL UNTIL A CLICK IS HEARD AND/OR FELT AND BEAD IS INSIDE OUTER LIP OF PUSH CONNECTOR. PULL BACK ON THE PUSH CONNECTOR APPROX. 44.5 N (10 LBS) FORCE
- ★ SAE-10W-40 ENGINE OIL OR ESE-M89B144-A LUBRICANT MUST BE USED ON 98593 (SEPARATOR) AND/OR 98076 (SEAL) AS AN ASSEMBLY AID. NO OTHER MATERIAL MAY BE USED.
- ★ ESE-M89B144-A A LUBRICANT MAY BE USED AS AN ASSEMBLY AID FOR ASSEMBLY OF HOSES ON TUBES. NO OTHER MATERIAL MAY BE USED.



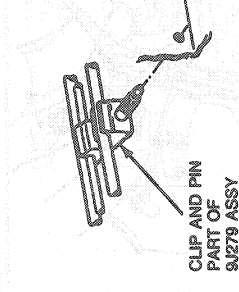
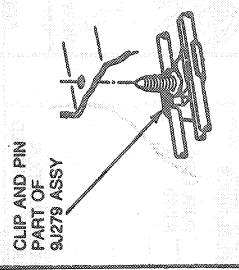
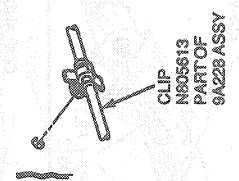
ONE PLACE MARKED

BOLT N610957-S36  
2 REQ'D. TIGHTEN TO  
5.2-7.2 N·m (47-63 LB-IN)

VIEW V

VIEW T

VIEW Z



SEVEN PLACES MARKED

THREE PLACES MARKED

ONE PLACE MARKED

VIEW Z

14/553-F