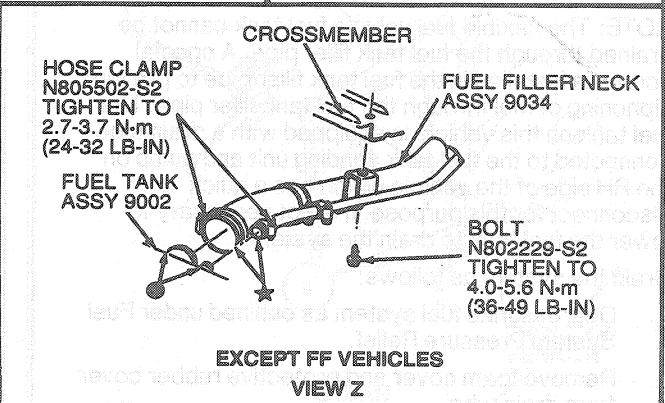
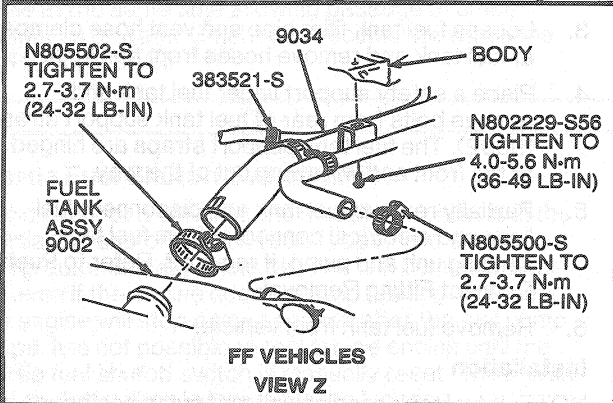
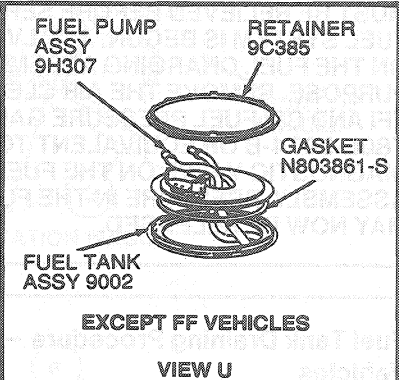
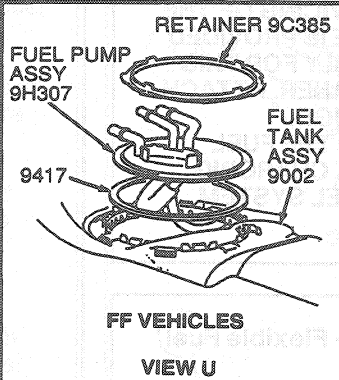
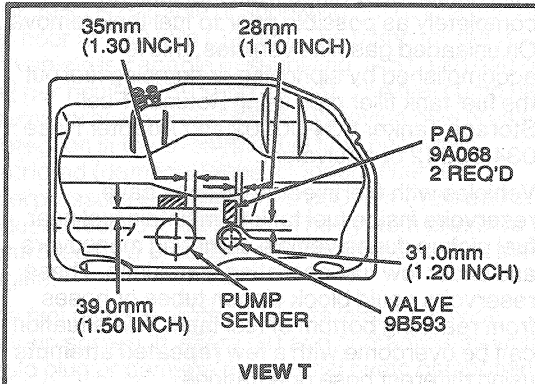


REMOVAL AND INSTALLATION (Continued)

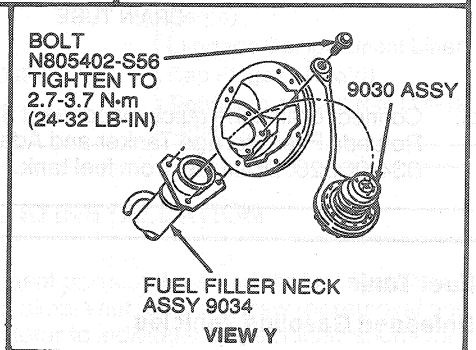
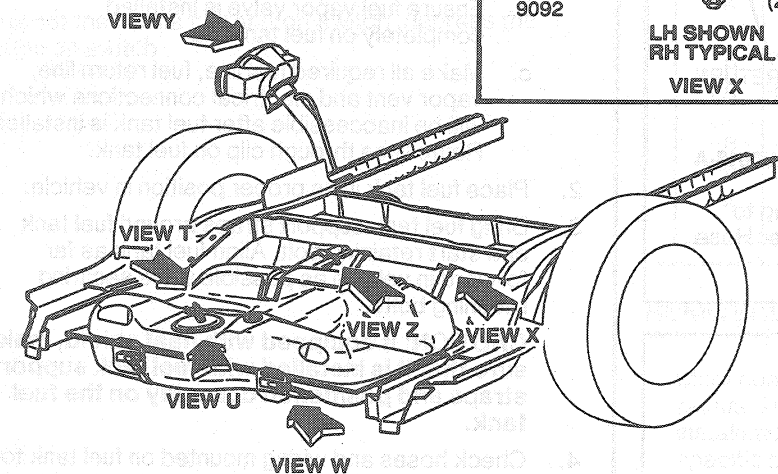
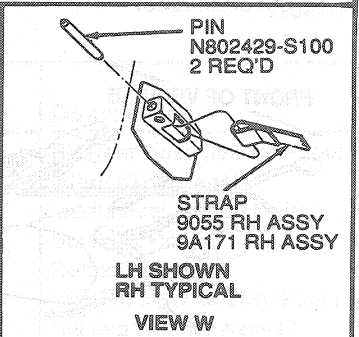
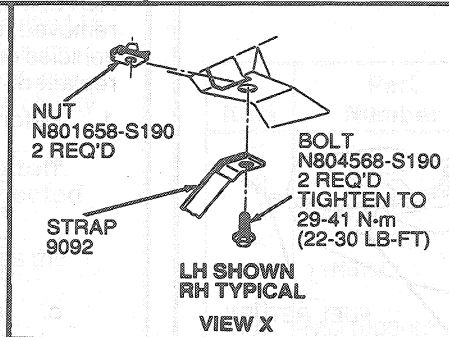
6. Install fuel filler hoses which connect fuel tank to fuel tank filler pipe. Install hose clamps and tighten to 2.7-3.7 N·m (24-32 lb-in).

7. Replace fuel drained from fuel tank.  
8. Start engine and check all connections for leaks.



SAE 10W-40 ENGINE OIL MAY BE USED ON 9002 AND OR 9034 AS AN ASSY AID. NO OTHER MATERIAL MAY BE USED.

INSTALL HOSES FLUSH TO TANK SURFACE. CLAMP MUST BE ON HOSE FLUSH TO 3.0MM (.1 INCH) FROM END OF HOSE.



V4551-G