

REMOVAL AND INSTALLATION (Continued)

2. Position lever in housing with large screw hole to engine side. Slide clutch release shaft assembly through felt washer, upper bushing and fork, and then into housing lower bushing.
3. Align lever and clutch release shaft assembly holes. Install retaining bolt or pin. Tighten to 40-55 N·m (30-40 lb-ft).

Clutch Disc and Pressure Plate

Tools Required:

- Clutch Aligner T81P-7550-A

Removal

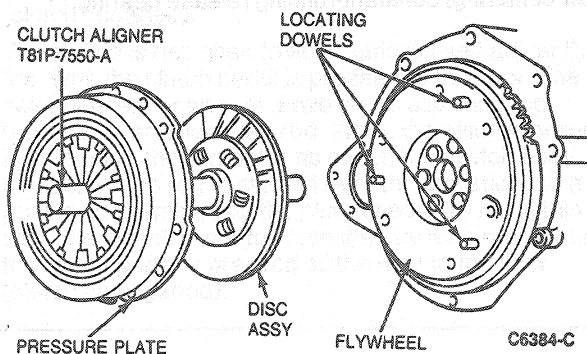
1. Loosen the six pressure plate cover retaining bolts evenly to release spring tension gradually and avoid distorting cover. If the same pressure plate and cover are to be installed, mark the cover and flywheel so that the pressure plate can be installed in its original position.
2. Remove pressure plate and clutch disc from flywheel.

Installation

NOTE: Avoid touching the clutch disc face, dropping parts or contaminating parts with oil or grease.

NOTE: The clutch disc must be assembled so that the "FW Side" or "Flywheel Side" stamped notation is facing toward the engine. The three dowel pins and the flywheel must be properly aligned with the pressure plate. (Bent, damaged or missing dowels must be replaced.)

1. Position clutch disc and pressure plate assembly on flywheel.
Insert the cover retaining bolts but do not tighten them.
2. Align clutch disc using Clutch Aligner T81P-7550-A inserted in the crankshaft. To avoid pressure plate cover distortion, alternately tighten cover bolts until fully seated, then tighten to 33 N·m (24 lb-ft). Remove alignment tool.



SPECIFICATIONS

PRESSURE PLATE SPECIFICATIONS

Diameter	Color Identification (Paint Daub)
248mm (9.75 inches)	None

CLUTCH DISC SPECIFICATIONS

Diameter	No. of Springs	Color Identifications (Paint Daub)
248 (9.75 inches)	2 Bright Red (Large) 2 Aquamarine (Small) 2 Silver Grey (Large) 2 Red (Small)	None

TORQUE SPECIFICATIONS

Description	N·m	Lb·Ft
Bolt / Stud—Transaxle Clutch Housing-to-Engine	46-63	34-46
Bolt—Pressure Plate-to-Flywheel	33	24
Pin-to-Release Fork	40-55	30-40
Shield Bolt	35-50	26-37

SPECIAL SERVICE TOOLS

Tool Number / Description	Illustration
T81P-7550-A Clutch Aligner	 T81P-7550-A