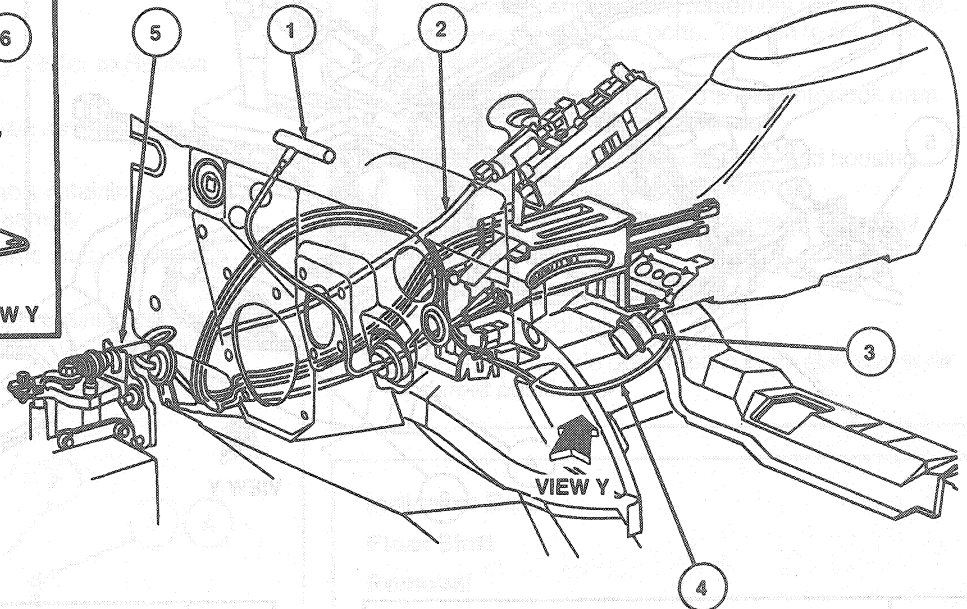
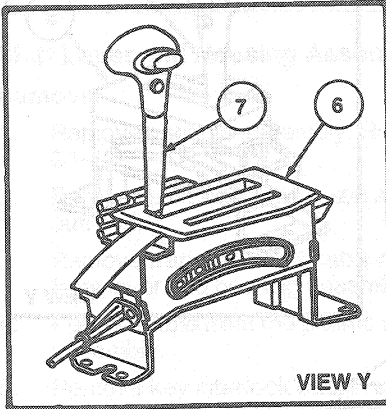


REMOVAL AND INSTALLATION

Floor Shift

Transaxle, AX4S



D10532-A

Item	Part Number	Description
1	—	Vacuum Manifold
2	3F719	Key Interlock Cable
3	—	Parking Brake Vacuum Solenoid

Item	Part Number	Description
4	2B653	Vacuum Hose Assy
5	7E395	Transmission Shift Cable
6	7K004	Lever and Housing Assy
7	7H263	Knob Assy

(Continued)

Shift Knob

Taurus/Sable

Removal

1. Remove retaining clip from shift knob.
2. Hold shift knob securely and depress release button.
3. Pull up on shift knob.

4. Remove shift knob shroud.

Installation

1. Slide shroud over shift lever.
2. Hold shift knob securely.
3. Firmly and fully press shift knob onto lever assembly.
4. Insert retaining clip.