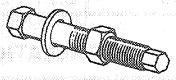
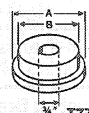

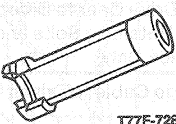
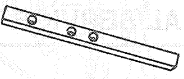
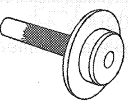
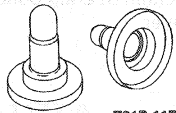
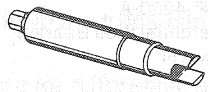

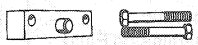
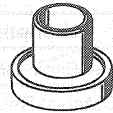
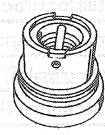



SPECIAL SERVICE TOOLS (Continued)

Tool Number/ Description	Illustration
T77F-1176-A Draw Bolt	 T77F-1176-A
T77F-4222-A Differential Bearing Cup Replacer	 T77F-4222-A
T77F-7050-B Input Shaft Seal Remover	 T77F-7050-B
T77F-7288-A Sector Shaft Seal Tool	 T77F-7288-A
T80L-77003-A Gauge Bar	 T80L-77003-A
T81P-1177-A Differential Seal Replacer	 T81P-1177-A
T81P-1177-B Transaxle Plugs	 T81P-1177-B
T81P-4026-A Differential Rotator	 T81P-4026-A

(Continued)

Tool Number/ Description	Illustration
T81P-4220-A Stop Plate Differential Bearing Remover	 T81P-4220-A
T81P-4451-B2 Height Gauge Spacer	 T81P-4451-B2
T83P-4220-CH Bearing Installer	 T83P-4220-CH
T83P-4451-AH1 Shim Selector Tool	 T83P-4451-AH1
T83P-4451-AH2 Height Gauge Spacer	 T83P-4451-AH2

Tool Number	Description
D79L-4621-A	Pinion Bearing Cone Remover
D83P-4026-A	Halfshaft Remover
TOOL-4201-C	Dial Indicator with Bracketry

ROTUNDA EQUIPMENT

Model	Description
014-00210	Hi-Lift Jack
014-00225	Manual Transaxle Adapter
014-00750	Engine Support Bar