

**SPECIFICATIONS (Continued)**

The shim is located behind the differential bearing cup in the transmission case.

**LUBRICANT CAPACITIES**

Type	Level	Capacity	
		Liters	Pints
Synthetic MERCON® Multi-Purpose Automatic Transmission Fluid E6AZ-19582-B (ESR-M2C163-A2)	To Bottom of Filler Hole	2.9	6.1

**INSTALLATION OF TRANSAXLE**

Description	N-m	Lb-Ft
Transaxle to Engine Bolts	46-63	34-46
Exhaust Catalyst Retaining Bolts	34-47	25-34
Air Manage Valve Bracket Bolt to Transaxle	38-42	28-31
Switch Actuator Bracket Bolt	9-13	7-10
Control Arm to Steering Knuckle	50-60	37-44
Rear Mounting Bolts	47-68	35-50
Transaxle Mounting Stud	52-56	38-41
Front Mount Bracket Bolts	34-47	25-34
Stiffener Brace Bolts	38-51	28-38
Starter Stud Bolts	41-54	30-40
Roll Restrictor Nuts	34-40	25-30
Shift Stabilizer Bar-to-Transaxle Case	47-63	35-46
Engine Mount Bolts	54-75	40-55
Center Support Bearing Bolts	115-135	85-100
Tie Rod Nut	47-64	35-47
Ball Joint Nut	50-60	37-44
Subframe Bolts	90-115	65-85
Steering Gear Nuts	115-135	85-100
Shift Rod to Shaft Clamp Bolt and Nut	9-12	80-106 (Lb-In)

**ASSEMBLY OF TRANSAXLE**

Description	N-m	Lb-Ft
Transaxle Case-to-Clutch Housing	18-24	13-17
Reverse Idler Shaft-to-Case	21-27	16-20
Fork Interlock Sleeve Pin	16-20	12-15
Detent Plunger Retainer Screw	7.5-11	6-8
Backup Lamp Switch	16-20	12-15
Control Selector Plate	8-11	6-8
Speedo Retaining	2-3	18-26 (Lb-In)
Reverse Shift Relay Lever Bracket	8-11	6-8
Filler Plug	12-20	9-15
Clutch Release Fork to Shaft	40-55	30-41

**GEAR RATIOS**

Transmission Model	1st	2nd	3rd	4th	5th	Rev.	Final Drive
RBE-AP	3.21	2.09	1.37	1.02	0.75	3.14	3.74

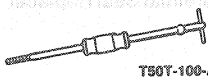
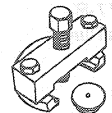
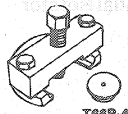
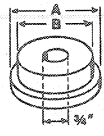
**INSTALLATION OF SHIFT CONTROLS**

Description	N-m	Lb-In
Shift Rod-to-Shift Shaft Clamp Bolt and Nut	9-12	80-106
Stabilizer-to-Transaxle Assembly Bolt	47-63	35-46 (Lb-Ft)
Lower Mounting Bracket-to-Inner Mounting Bracket Nuts	13-17	115-150
Rear Mount-to-Lower Mounting Bracket Nuts	13-17	115-150

**TORQUE SPECIFICATIONS**

Description	N-m	Lb-Ft
Final Drive Gear to Differential Case Retaining Bolts and Nuts (Service Only)	108-136	80-100
Speedo Cable to Driven Gear	5-8	44-71 (Lb-In)

**SPECIAL SERVICE TOOLS**

Tool Number / Description	Illustration
T50T-100-A Impact Slide Hammer	 T50T-100-A
T57L-4220-A Differential Bearing Cone Remover	 T57L-4220-A
T66P-4220-A Differential Side Bearing Remover	 T66P-4220-A
T75T-1225-A Differential Bearing Cup Replacer	 T75T-1225-A

(Continued)