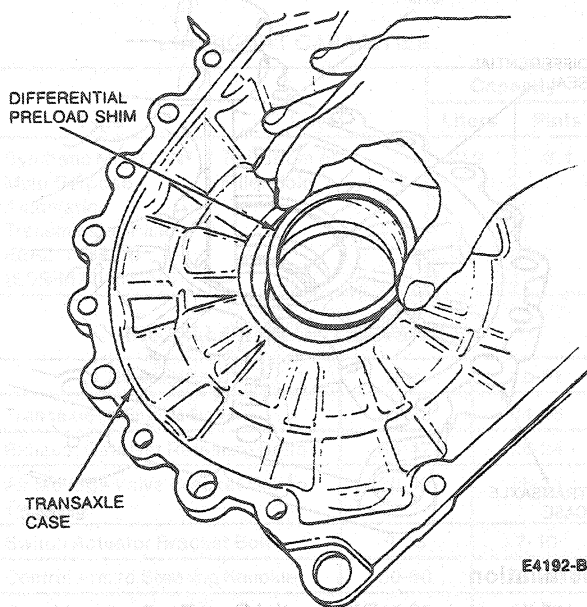


**MAJOR SERVICE OPERATIONS (Continued)**

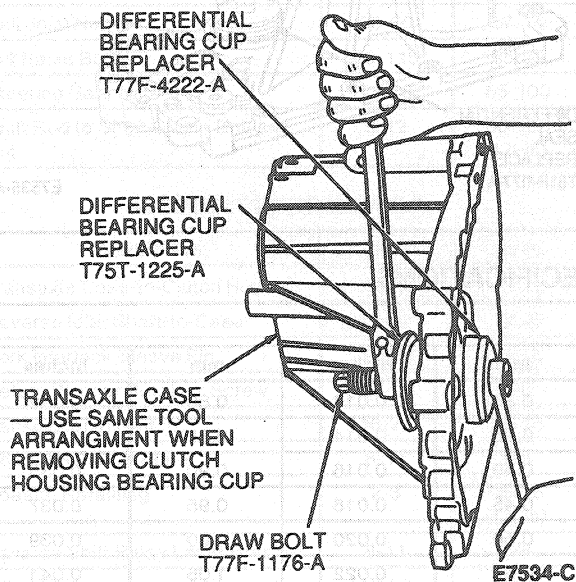
9. Install the shim in the transaxle case.



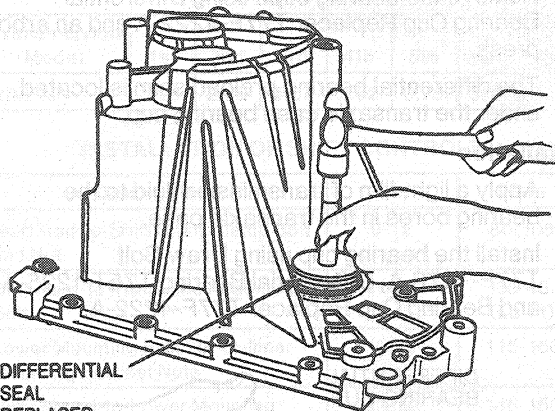
10. Apply a light film of transmission fluid to the bearing bores in the transaxle case and clutch housing.

Install the bearing cup in the transaxle case, using Draw Bolt T77F-1176-A, Stop Differential Bearing Cup Replacer T75T-1225-A and Bearing Cup Replacer T77F-4222-A.

Ensure the cup is fully seated against the shim in the transaxle case and against the shoulder in the clutch housing.



11. Install the differential seal using Differential Seal Replacer T81P-1177-A.



**Differential Bearing Cups**

**NOTE:** If the differential bearings and cups are being replaced, the bearing preload must be checked and if necessary, adjusted. After installing the bearings, adjust bearing preload as outlined.

**Removal**

1. Remove the differential oil seals as outlined.

