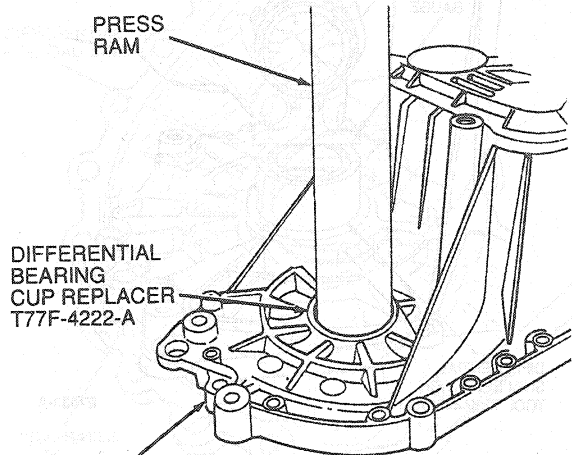


**MAJOR SERVICE OPERATIONS (Continued)**

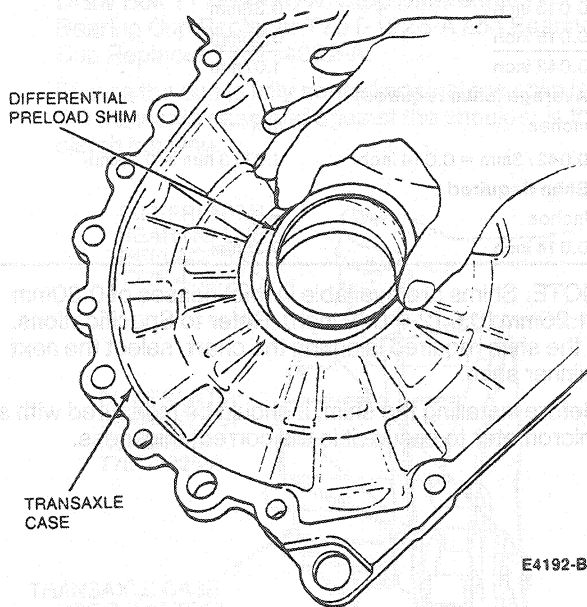
- Remove the differential bearing cup from the transaxle case using Differential Bearing Cup Replacer T77F-4222-A.



TRANSAXLE CASE — USE SAME TOOL ARRANGEMENT WHEN REMOVING CLUTCH HOUSING BEARING CUP

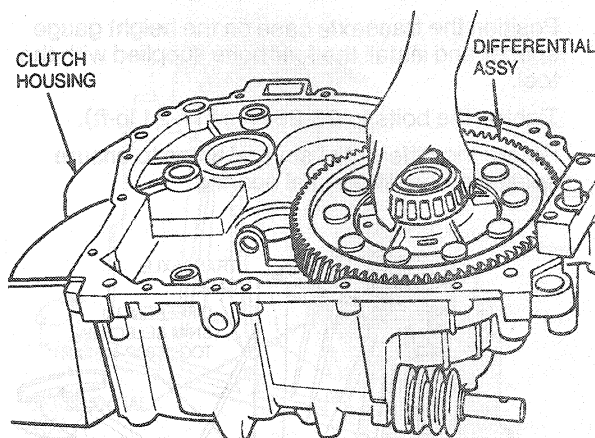
E7527-C

- Remove the preload shim located under the bearing cup.



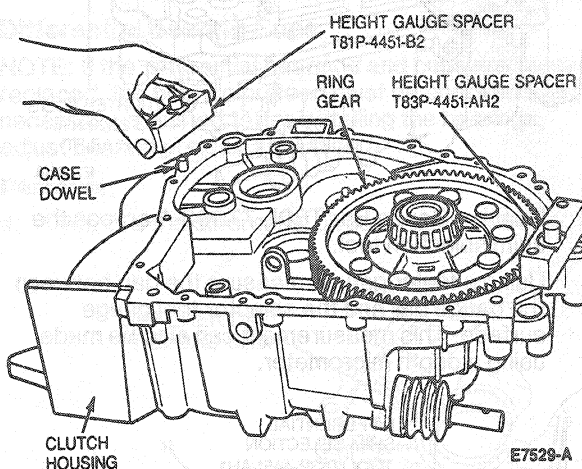
E4192-B

- If removed, install the differential in the clutch housing.



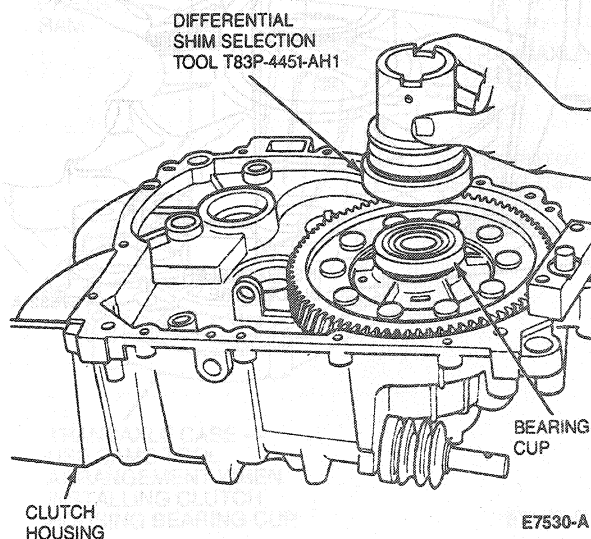
E7528-A

- Install Height Gauge Spacers T81P-4451-B2 and T83P-4451-AH2 on the clutch housing dowels.



E7529-A

- Position the bearing cup removed from the transaxle case on the differential bearing. Install Differential Shim Selection Tool T83P-4451-AH1 over the differential bearing cup.



E7530-A