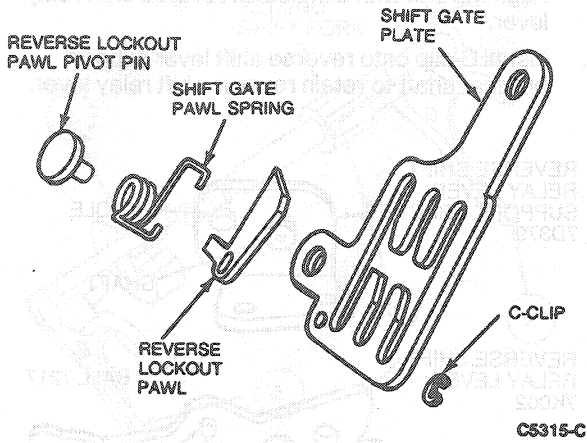


**DISASSEMBLY AND ASSEMBLY (Continued)**

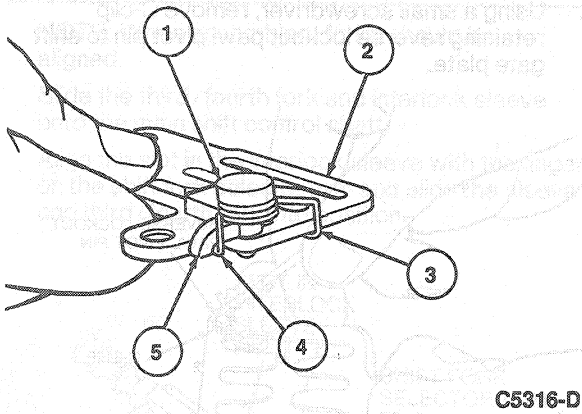
- Remove reverse lockout pawl, pin and spring from shift gate plate.



**Assembly**

**NOTE:** Make sure the lower (shorter) leg of the spring rests against the reverse lockout pawl and the upper (longer) leg of the spring rests against the shift gate plate. Ensure spring is against shoulder of reverse lockout pivot pin and does not interfere with pin seating against reverse lockout pawl.

- Install reverse lockout pawl, pin, and spring.



Item	Part Number	Description
1	7E484	Reverse Lockout Pawl Pivot Pin
2	7F476	Shift Gate Plate
3	7E200	Shift Gate Pawl Spring (Upper Longer Leg)
4	7E200	Shift Gate Pawl Spring (Lower Shorter Leg)
5	7E159	Reverse Lockout Pawl

- Install C-clip to reverse lockout pawl pivot pin.

