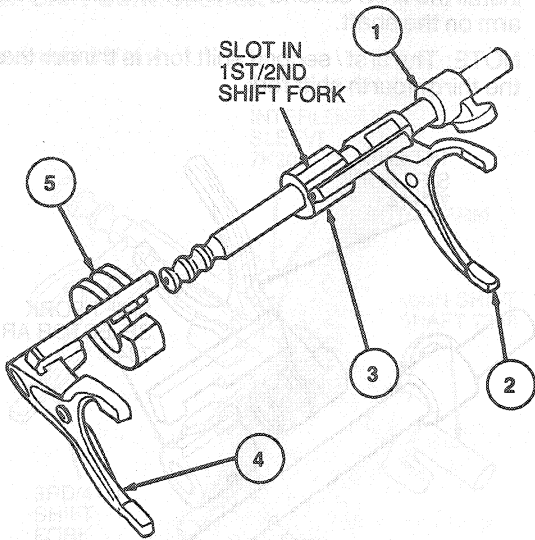


DISASSEMBLY AND ASSEMBLY (Continued)



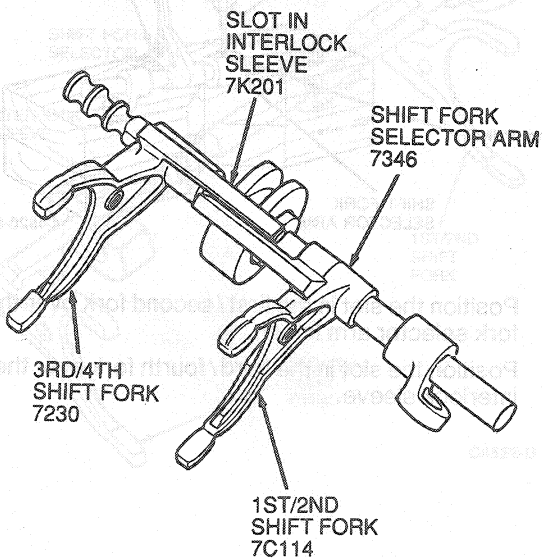
C4525-E

Item	Part Number	Description
1	7K105	Block Fork Control
2	7C114	1st / 2nd Shift Fork
3	7346	Shift Fork Selector Arm
4	7230	3rd / 4th Shift Fork
5	7K201	Interlock Sleeve

NOTE: When assembled, forks should be aligned.

Slide the third / fourth fork and interlock sleeve onto the main shift control shaft.

Align the slot in the interlock sleeve with the finger on the shift fork selector arm and slide the sleeve and third / fourth fork into position.



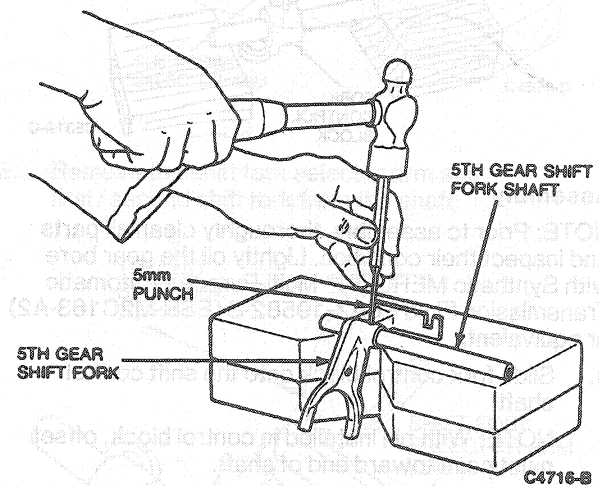
C4701-E

Item	Part Number	Description
1	7K105	Block Fork Control
2	7C114	1st / 2nd Shift Fork
3	7346	Shift Fork Selector Arm
4	7230	3rd / 4th Shift Fork
5	7K201	Interlock Sleeve

Fifth Gear Shift Control

Disassembly

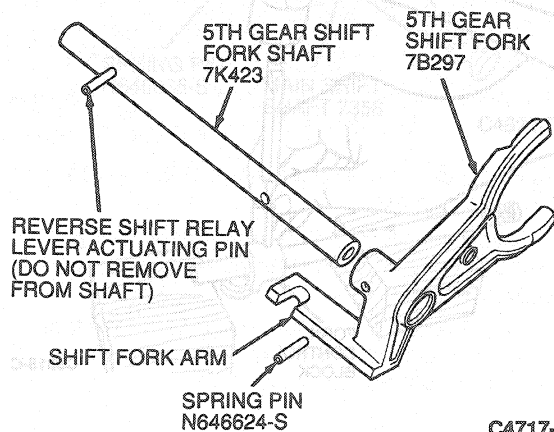
1. Using a 5mm punch, remove the spring pin.
2. Slide the fork from the shaft.



C4716-B

Assembly

1. Holding the shaft with the hole on the left, install the fifth gear shift fork so that the protruding arm is pointing toward the long end of the shaft.
2. Install the spring pin.



C4717-E