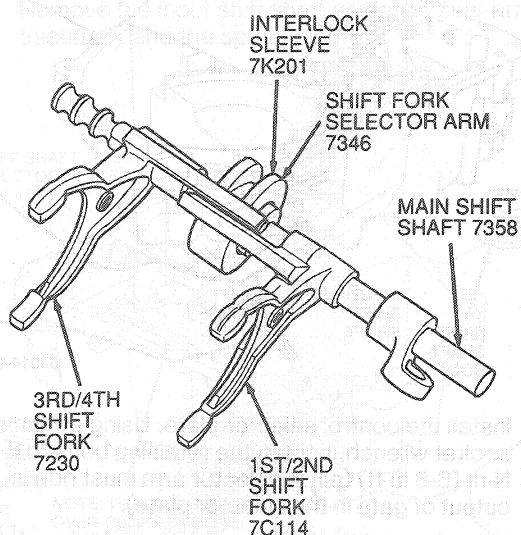


DISASSEMBLY AND ASSEMBLY (Continued)

Main Shift Control Shaft

Assembled View

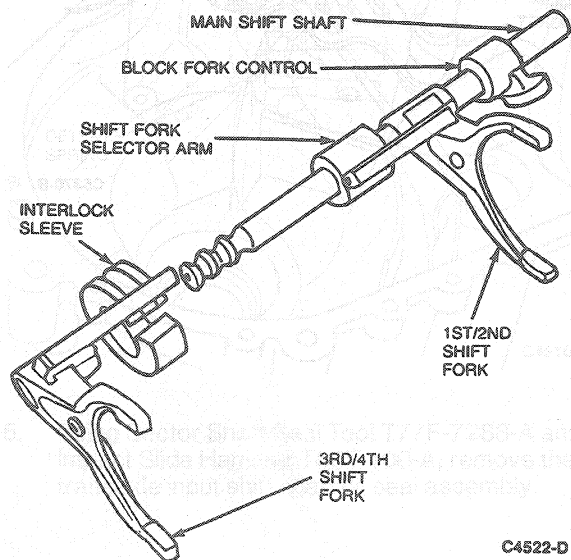


Disassembly

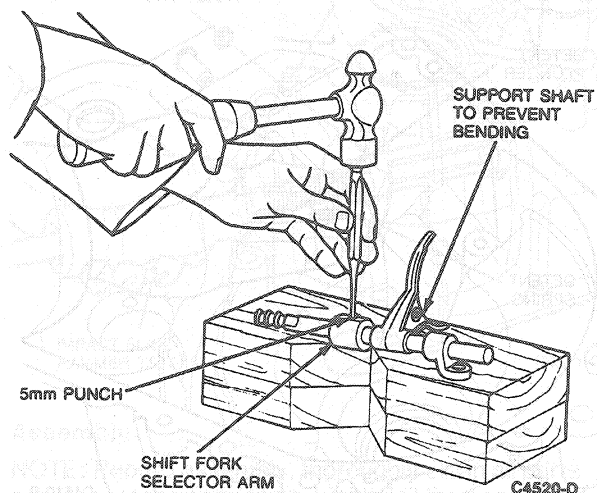
1. Rotate the third / fourth shift fork on the shaft until the notch in the fork is located over the interlock sleeve.

Rotate the first / second shift fork on the shaft until the notch in the fork is located over the shift fork selector arm finger.

With the forks in position, slide the third / fourth fork and interlock sleeve off the shaft.



2. Using a 5mm punch, remove the selector arm spring pin.



3. Remove the shift fork selector arm and first / second shift fork from the shaft.

