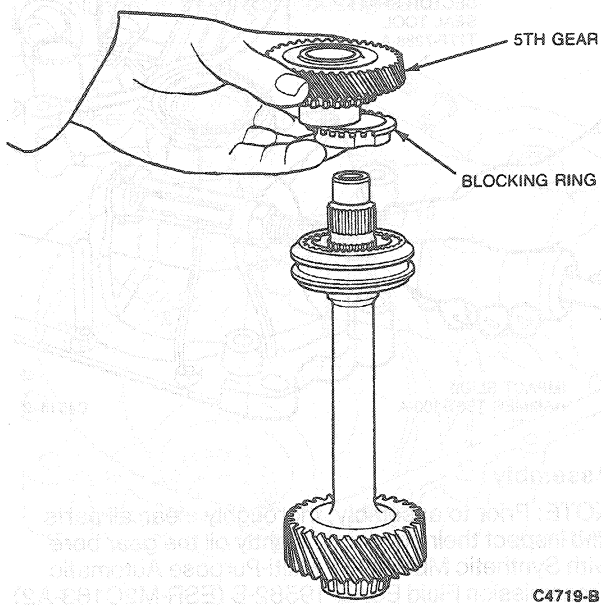
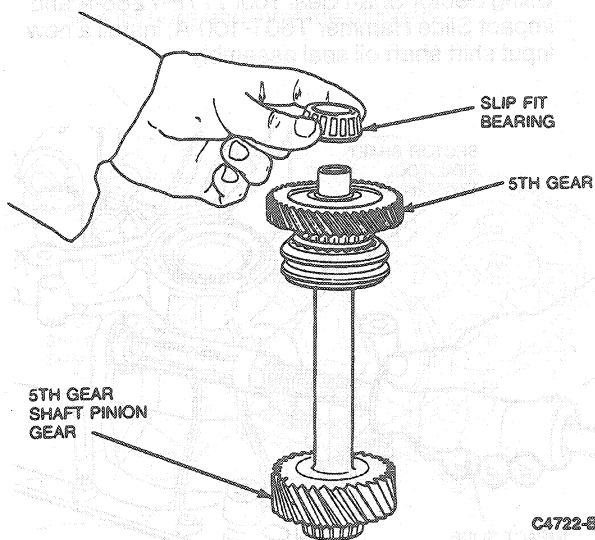


DISASSEMBLY AND ASSEMBLY (Continued)

3. Install the fifth gear and blocking ring.



4. Install the slip fit bearing on the fifth gear end of the shaft.

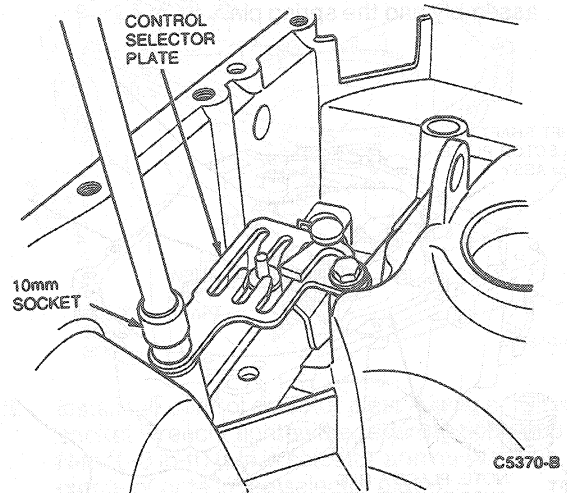


Clutch Housing Tools Required:

- Impact Slide Hammer T50T-100-A
- Sector Shaft Seal Tool T77F-7288-A

Disassembly

1. Using a 10mm socket wrench, remove the two control selector plate retaining bolts. Remove the plate from the case.



2. With the input shift shaft in the center detent position, using a drift, drive the spring pin through the selector plate arm assembly and through the input shift shaft into the recess in the clutch housing case.

