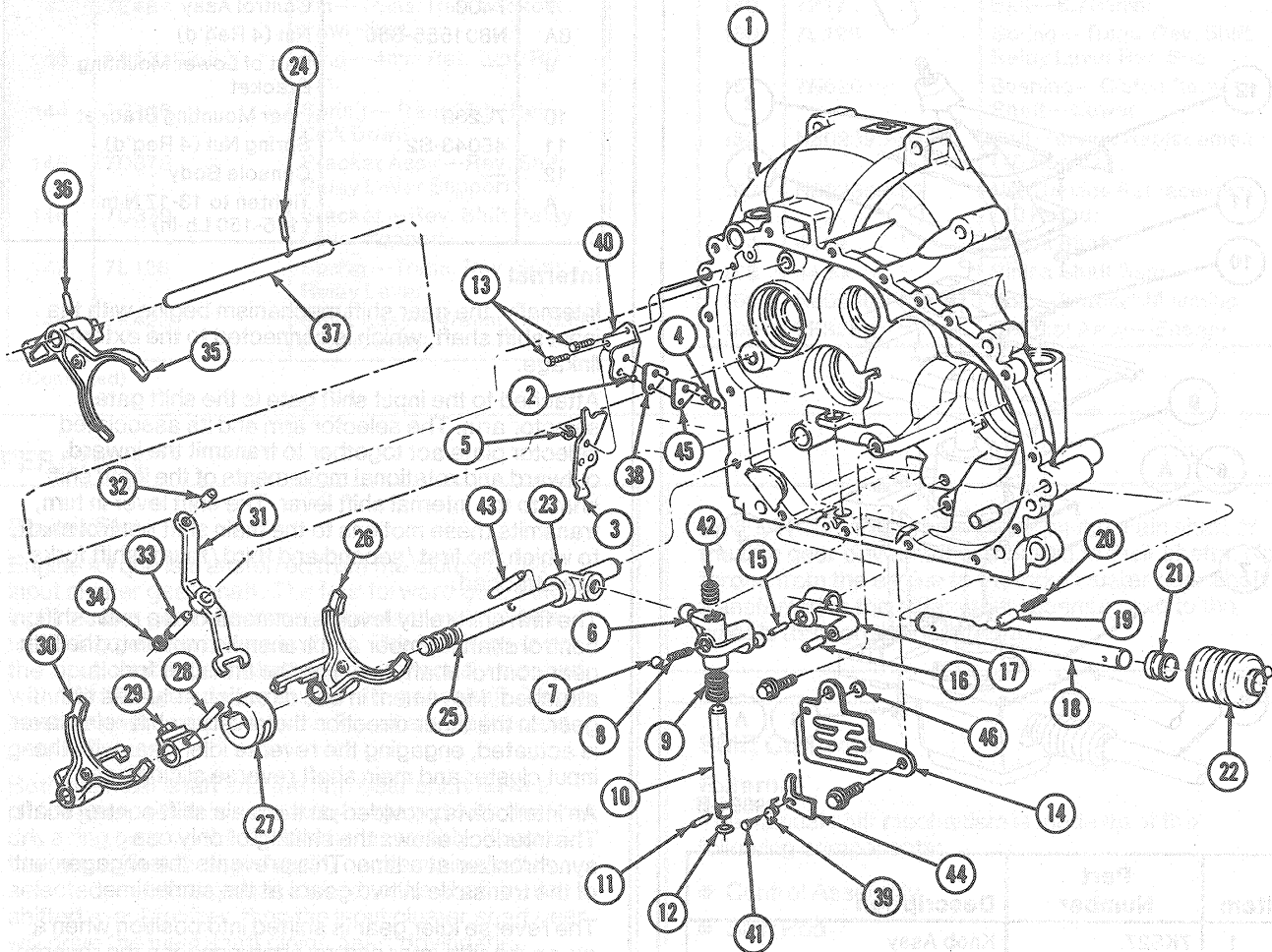


OPERATION (Continued)

(Continued)

The backup lamp switch is actuated by movement of the fifth gear control shaft.



- | ITEM | DESCRIPTION                          |
|------|--------------------------------------|
| 1.   | CASE—CLUTCH HOUSING                  |
| 2.   | BALL                                 |
| 3.   | LEVER—REVERSE RELAY                  |
| 4.   | PIN—REVERSE RELAY LEVER PIVOT        |
| 5.   | RING—EXTERNAL RETAINING              |
| 6.   | LEVER—SHIFT                          |
| 7.   | BALL—10.319mm                        |
| 8.   | SPRING—5TH/REVERSE INHIBITOR         |
| 9.   | SPRING—3RD/4TH SHIFT BIAS            |
| 10.  | SHAFT—SHIFT LEVER                    |
| 11.  | PIN—SHIFT LEVER                      |
| 12.  | SEAL—SHIFT LEVER SHAFT               |
| 13.  | BOLTS—SHIFT GATE ATTACHING           |
| 14.  | PLATE—SHIFT GATE                     |
| 15.  | ROLL PIN—SELECTOR ARM                |
| 16.  | PIN—SHIFT GATE SELECTOR              |
| 17.  | ARM—SHIFT GATE SELECTOR              |
| 18.  | SHAFT—INPUT SHIFT                    |
| 19.  | PLUNGER—SHIFT SHAFT DETENT           |
| 20.  | SPRING—SHIFT SHAFT DETENT            |
| 21.  | SEAL ASSEMBLY—SHIFT SHAFT OIL        |
| 22.  | BOOT—SHIFT SHAFT                     |
| 23.  | BLOCK—TRANS INPUT FORK CONTROL SHAFT |
| 24.  | PIN—SHIFT GATE SELECTOR              |

- | ITEM | DESCRIPTION                                      |
|------|--------------------------------------------------|
| 25.  | SHAFT—MAIN SHIFT FORK CONTROL                    |
| 26.  | FORK—1ST/2ND                                     |
| 27.  | SLEEVE—FORK INTERLOCK                            |
| 28.  | PIN—SPRING                                       |
| 29.  | ARM—FORK SELECTOR                                |
| 30.  | FORK—3RD/4TH                                     |
| 31.  | LEVER—5TH SHIFT RELAY                            |
| 32.  | PIN—REVERSE SHIFT RELAY LEVER                    |
| 33.  | PIN—5TH RELAY LEVER PIVOT                        |
| 34.  | RING—EXTERNAL RETAINING                          |
| 35.  | FORK—5TH                                         |
| 36.  | SPRING PIN—5TH RETAINING                         |
| 37.  | SHAFT—5TH FORK CONTROL                           |
| 38.  | SPRING—TRANS REVERSE SHIFT RELAY LEVER           |
| 39.  | SPRING—SHIFT GATE PAWL                           |
| 40.  | BRACKET—REVERSE SHIFT RELAY LEVER SUPPORT        |
| 41.  | PIN—REVERSE LOCKOUT PAWL PIVOT                   |
| 42.  | SPRING—5TH/REVERSE KICKDOWN                      |
| 43.  | PIN—REVERSE RELAY LEVER ACTUATING                |
| 44.  | PAWL—SHIFT GATE PLATE                            |
| 45.  | SPRING—TRANS REVERSE SHIFT RELAY LEVER RET. SEC. |
| 46.  | C-CLIP                                           |

C6358-A