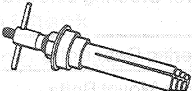
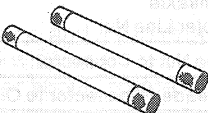
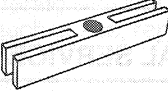
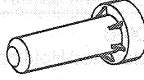



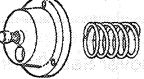
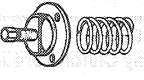

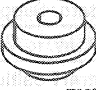
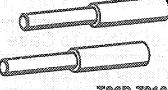
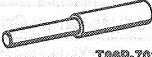


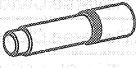
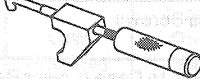






**SPECIAL SERVICE TOOLS (Continued)**

Tool Number/ Description	Illustration
T80L-7902-A End Play Checking Tool	 T80L-7902-A
T81P-7902-C Torque Converter Handles	 T81P-7902-C
T81P-78103-A Slide Hammer Adapter	 T81P-78103-A
T86P-1177-B Output Shaft Seal Replacer	 T86P-1177-B
T86P-3514-A1 C.V. Joint Puller T86P-3514-A2 Screw Extension	 T86P-3514-A
T86P-7902-A Converter Guide Sleeve Tool	 T86P-7902-A
T86P-70001-A Lube Tube Remover Tool	 T86P-70001-A
T86P-70023-A Low/Intermediate Servo Rod Tool	 T86P-70023-A
T86P-70023-B Overdrive Servo Rod Tool	 T86P-70023-B
T86P-70043-A Stator and Driven Sprocket Bearing Remover	 T86P-70043-A

(Continued)

Tool Number/ Description	Illustration
T86P-70043-B Stator and Driven Sprocket Bearing Replacer	 T86P-70043-B
T86P-70100-A Valve Body Guide Pin Set	 T86P-70100-A
T86P-70100-B Valve Body Guide Pin	 T86P-70100-B
T86P-70100-C Valve Body Guide Pin	 T86P-70100-C
T86P-70234-A Direct Clutch Lip Seal Protector	 T86P-70234-A
T86P-70370-A Pump Body Guide Pin	 T86P-70370-A
T86P-70389-A Front Clutch Loading Tool	 T86P-70389-A
T86P-70403-A Reverse Clutch Outer Lip Seal Protector	 T86P-70403-A
T86P-70422-AR Bimetal Height Gauge	 T86P-70422-AR
T86P-70548-A Forward Clutch Seal Lip Protector	 T86P-70548-A
T86P-77265-AH Cooler Line Disconnect Tool	 T86P-77265-AH

(Continued)