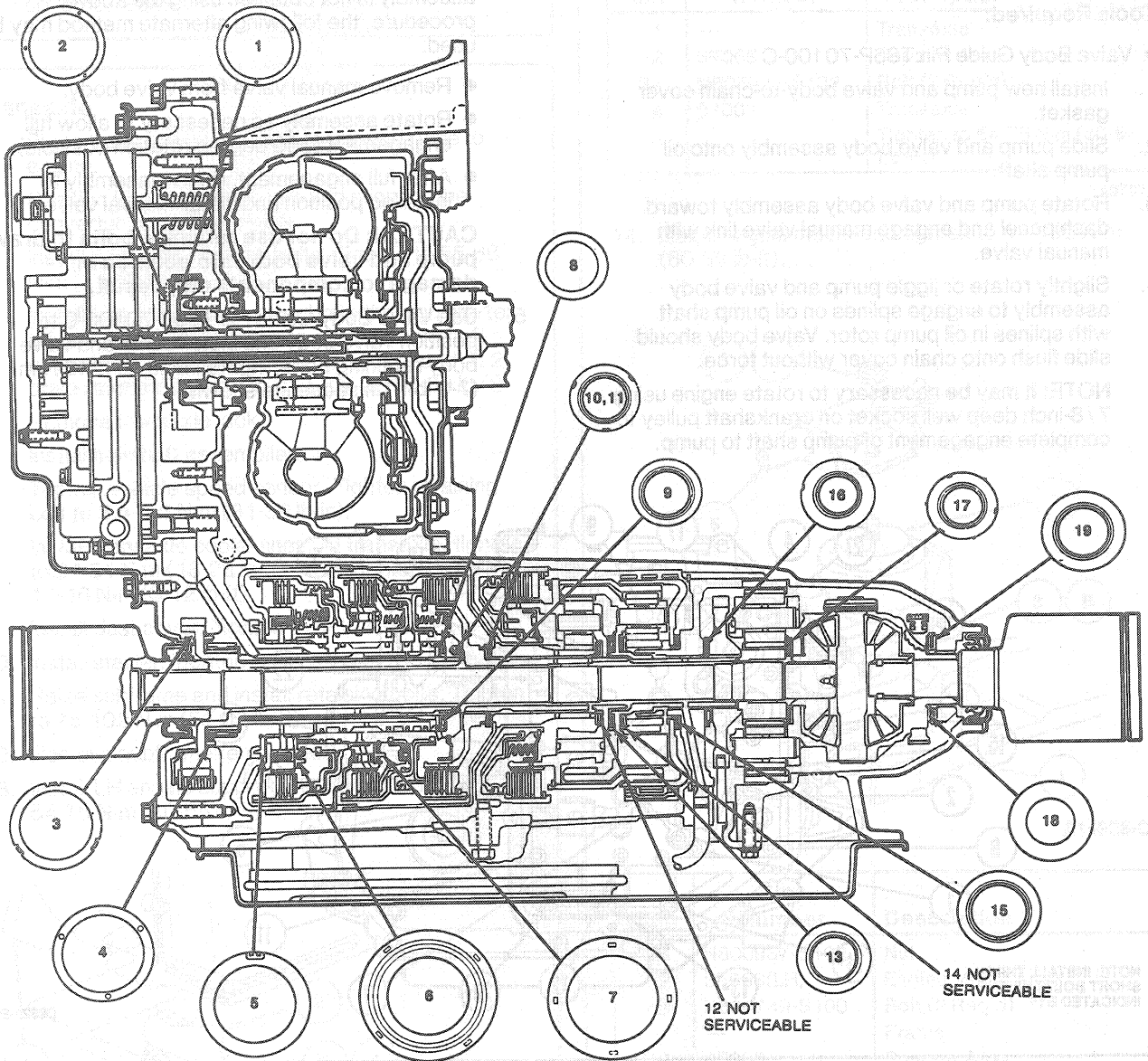


DISASSEMBLY AND ASSEMBLY (Continued)

Thrust Washer and Needle Bearing Location



ITEM	PART NUMBER	DESCRIPTION
1.	7G019	WASHER THRUST (NYLON) (DRIVE SPROCKET/STATOR SUPPORT)
2.	7G019	WASHER THRUST (NYLON) (DRIVE SPROCKET/STATOR SUPPORT)
3.	7G006	WASHER THRUST (STEEL BACKED BRONZE) CASE COVER/DRIVEN SPROCKET
4.	7G115	WASHER THRUST (NYLON) (DRIVEN SPROCKET/SUPPORT)
5.	7D014	WASHER THRUST (NYLON) (SELECTIVE) (SUPPORT/FORWARD CLUTCH)
6.	7D076	WASHER THRUST (NYLON) (FORWARD CLUTCH O.W.C. RACE)
7.	7G116	WASHER THRUST (NYLON) (DIRECT CLUTCH/DIRECT O.W.C.)

8.	7G273	WASHER THRUST (PHENOLIC) (SELECTIVE) (DRIVEN SPROCKET SUPPORT—REAR)
9.	7G128	BEARING ASSEMBLY (DIRECT CLUTCH HUB)
10.	7G239	BEARING ASSEMBLY (FRONT SUN GEAR)
11.	7G239	BEARING ASSEMBLY (FRONT SUN GEAR)
12.	7G104	NOT SERVICEABLE
13.	7G177	BEARING ASSEMBLY (PLANETARY THRUST—CENTER)
14.	7G105	NOT SERVICEABLE
15.	7G178	BEARING ASSEMBLY (REAR SUN GEAR)
16.	7G108	BEARING ASSEMBLY (FINAL DRIVE GEAR—FRONT)
17.	7G107	BEARING ASSEMBLY (FINAL DRIVE GEAR—REAR)
18.	7G103	WASHER THRUST (STEEL) (SELECTIVE) (DIFFERENTIAL CARRIER)
19.	7G112	BEARING ASSEMBLY (DIFFERENTIAL CARRIER)

D6990-D