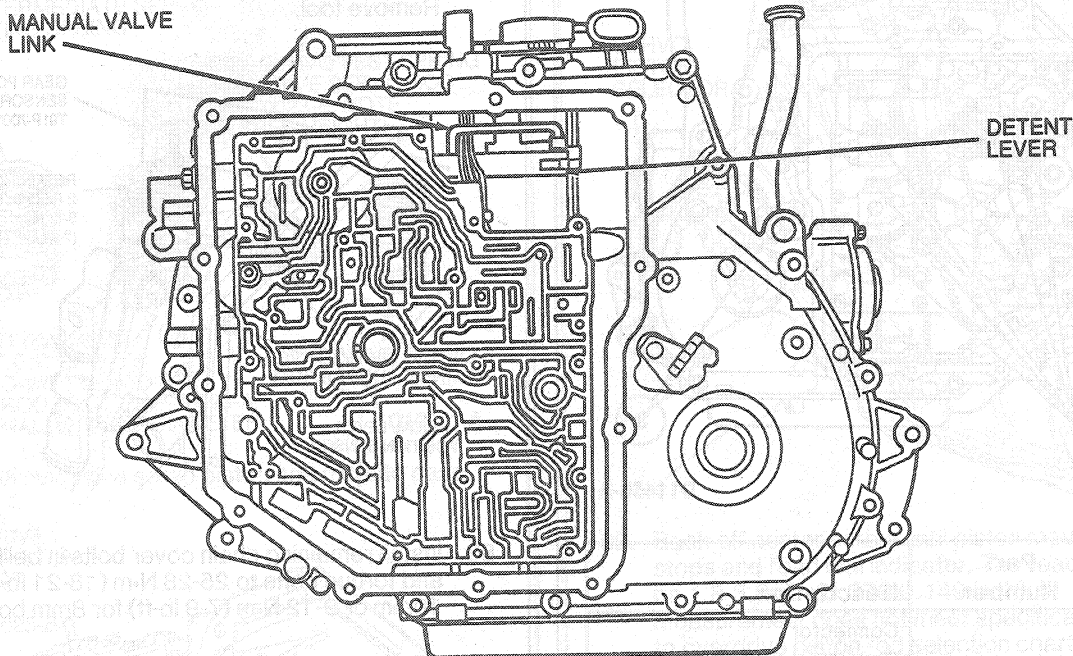


**DISASSEMBLY AND ASSEMBLY (Continued)**

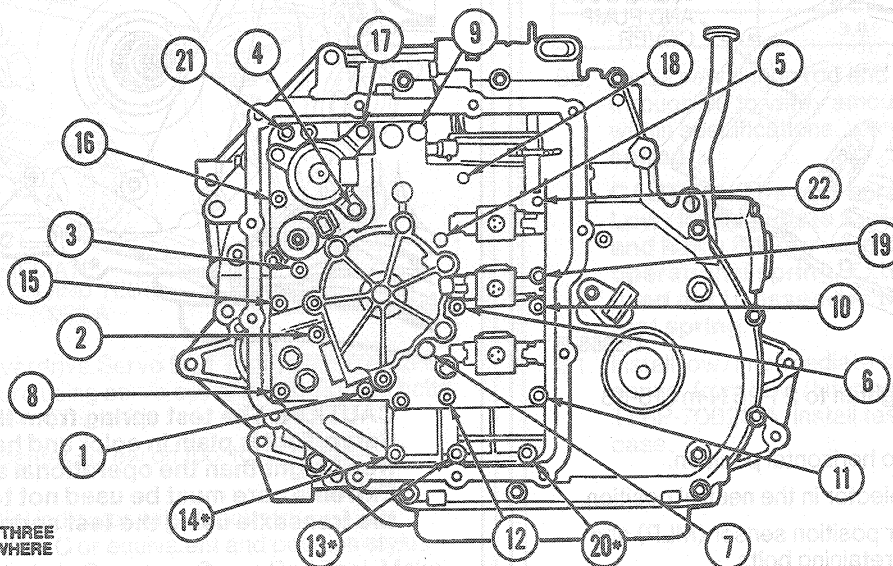
72. Connect manual valve link to detent lever.



D6167-C

73. Start oil pump and valve body over pump shaft and connect manual valve link to manual valve. Push valve body down until seated.

74. Install 22 valve body bolts and tighten in sequence to 9-12 N-m (7-9 lb-ft).



NOTE: INSTALL THREE SHORT BOLTS WHERE INDICATED BY\*

D6829-B

NOTE: Install three short bolts where indicated by\*.

75. Install electrical connectors on proper solenoids and sensor until a slight click is felt.