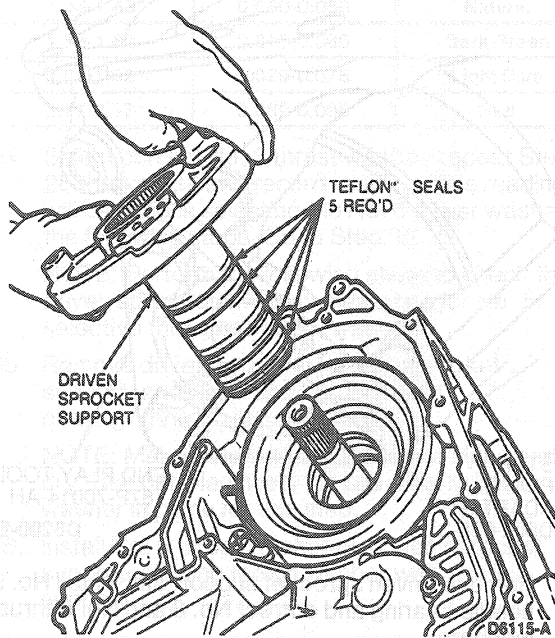


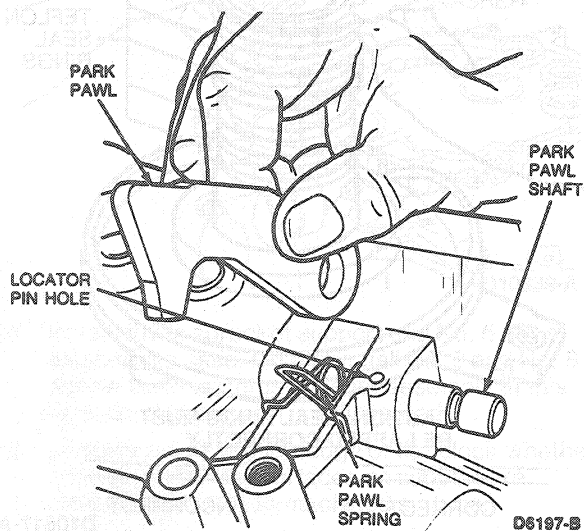
DISASSEMBLY AND ASSEMBLY (Continued)

45. Lower driven sprocket support assembly into case. Make sure support is fully seated and the tab is between the ridges on the case.

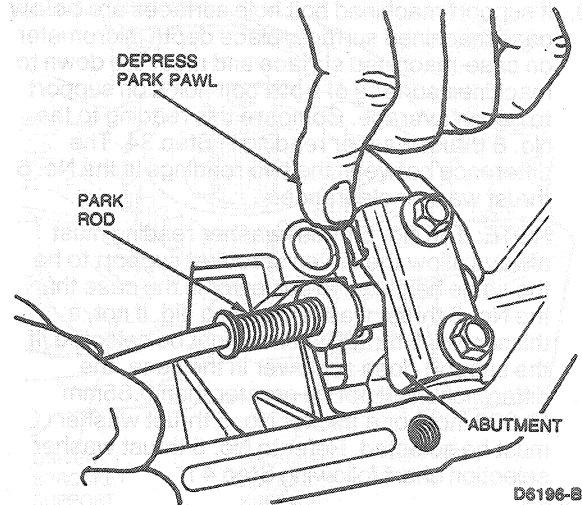


NOTE: Ensure that the park pawl engages the park gear and returns freely.

46. Install park pawl, return spring, park pawl shaft and locator pin.

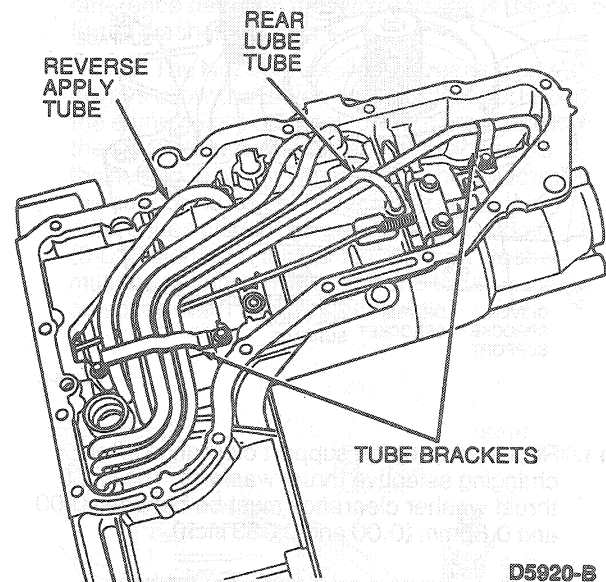


47. Install park rod actuating lever and park rod in case. Install park rod abutment and start abutment bolts. Push in park pawl and locate rod between pawl and abutment.



48. Install tubes in position and tap lightly until fully seated. Apply Threadlock 262, E2FZ-19554-B (ESE-M4G204-A3) or equivalent around tube-to-case surface.

49. Install tube retaining brackets.



50. Install manual shaft seal by tapping into case.

51. Start manual shaft through seal and slide manual detent lever onto shaft.