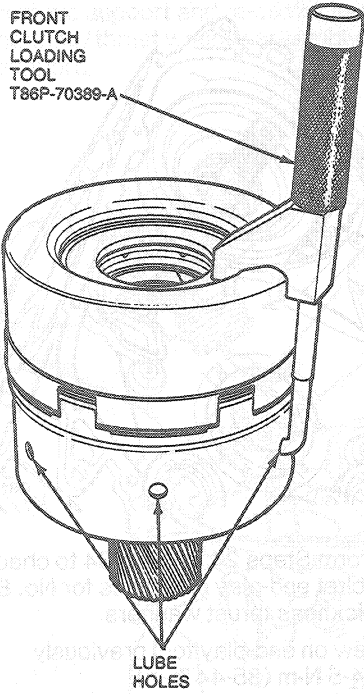
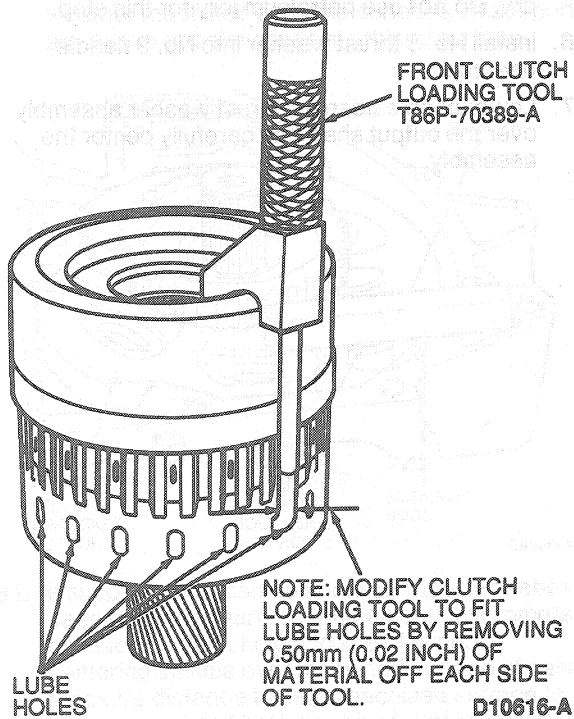


DISASSEMBLY AND ASSEMBLY (Continued)

All Except 3.2L SHO



3.2L SHO



- 21. Lower assembly into case, aligning shell and sun gear splines into forward planetary.
- CAUTION:** Ensure the assembly is fully seated before removing the tool.

All Except 3.2L SHO

