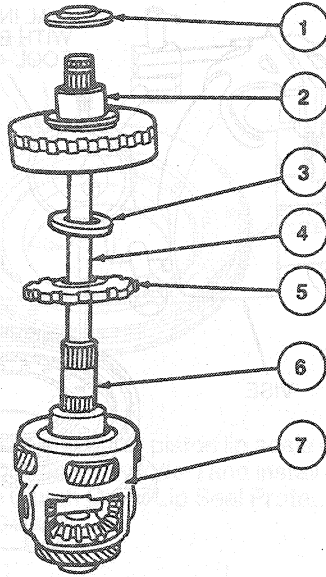


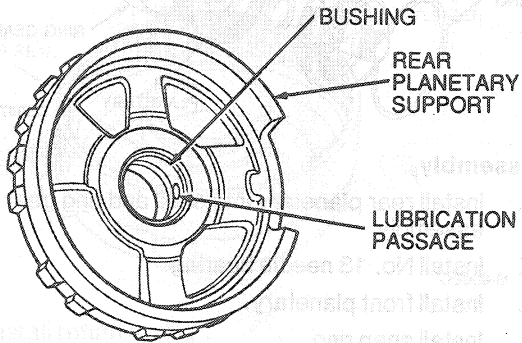
DISASSEMBLY AND ASSEMBLY (Continued)



D10319-A

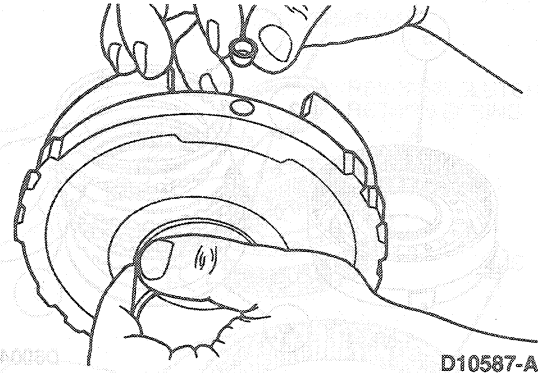
Item	Description
1	No. 15 Needle Bearing
2	Rear Planetary Support
3	No. 16 Needle Bearing
4	Output Shaft
5	Park Wheel
6	Final Drive Sun Gear
7	Differential Assy

2. Check to be sure hole in bushing in rear planet is aligned with lubrication passage. If not, replace support, as bushing is not serviced.



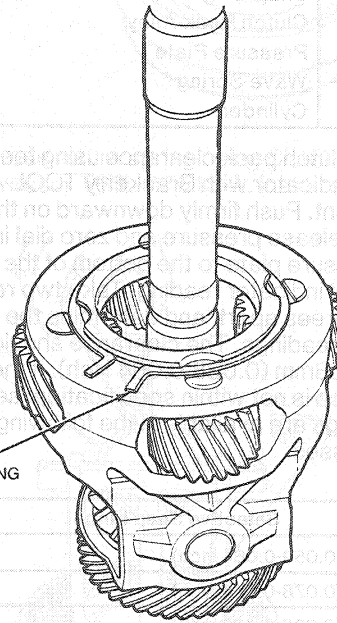
D10320-A

3. Remove seal and discard.



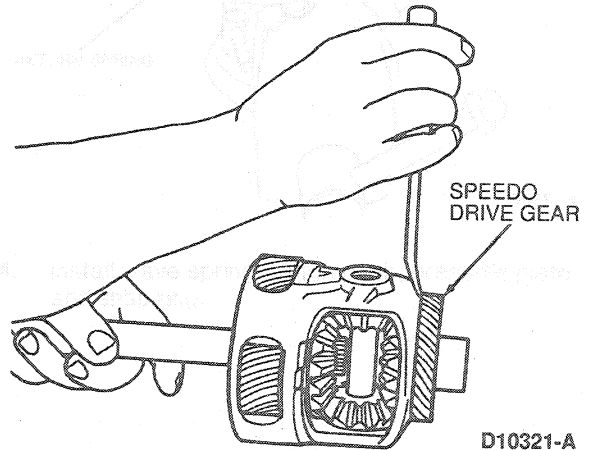
D10587-A

4. Check snap ring to verify that it is fully seated in its groove.



D6204-A

5. If necessary remove speedometer drive gear by gently prying off with a screwdriver.



D10321-A