

DISASSEMBLY AND ASSEMBLY (Continued)

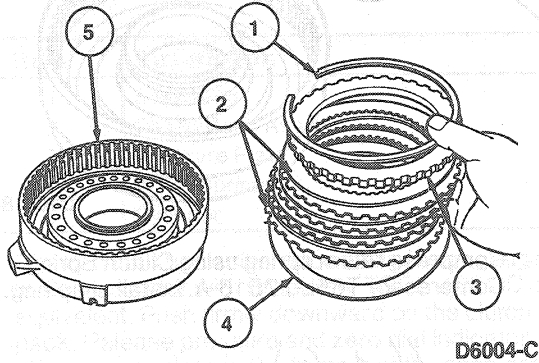
Disassembly

Tools Required:

- Clutch Spring Compressor T65L-77515-A
- Reverse Clutch Outer Lip Seal Protector T86P-70403-A
- Dial Indicator with Bracketry TOOL-4201-C

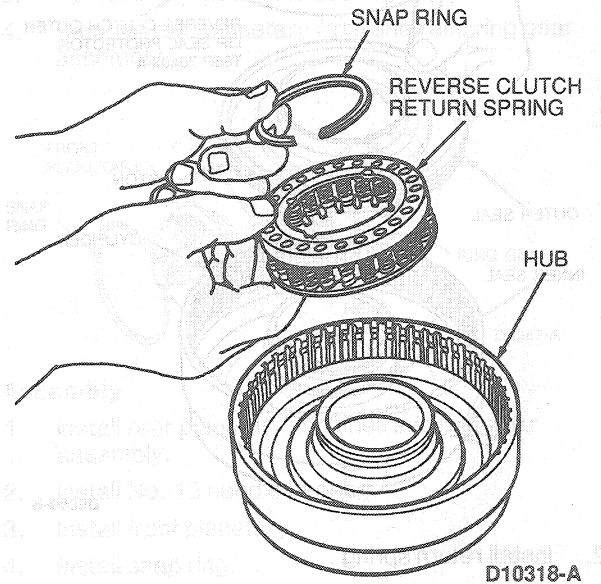
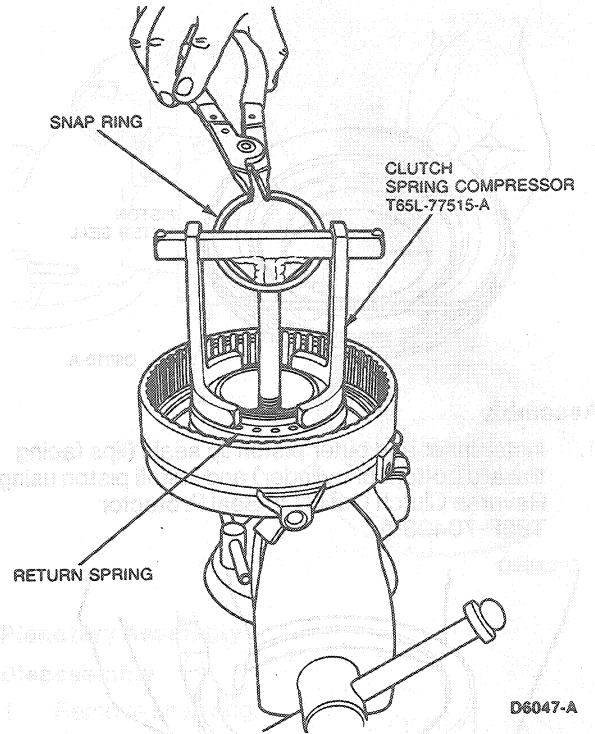
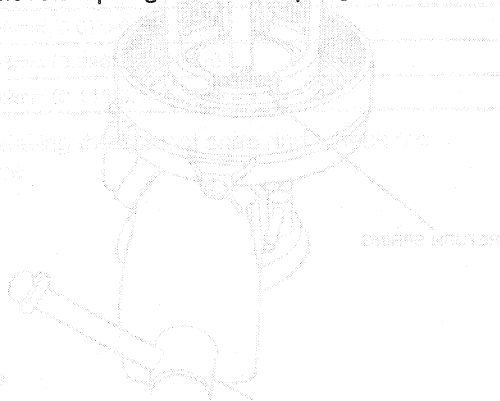
NOTE: Number of pieces in clutch pack will vary with application.

1. Remove snap ring, pressure plate, clutch pack and wave spring.



Item	Description
1	Snap Ring
2	Clutch Pack Assy
3	Pressure Plate
4	Wave Spring
5	Cylinder

2. Using Clutch Spring Compressor T65L-77515-A, remove snap ring and return spring.



3. Lift out piston and remove piston inner and outer seals.

