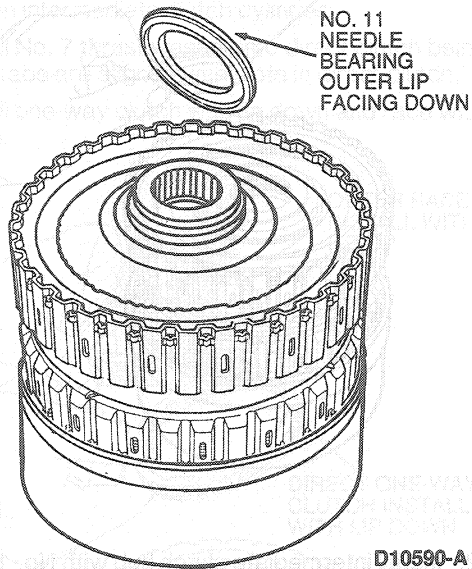


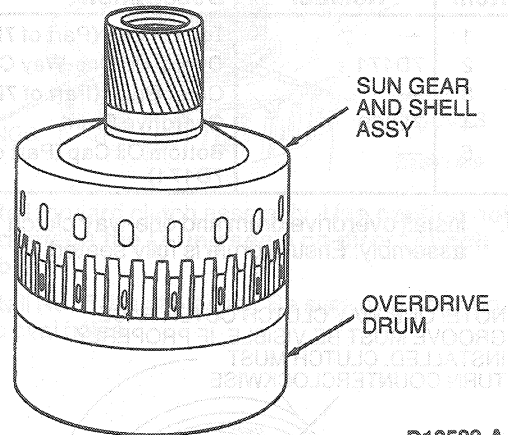
DISASSEMBLY AND ASSEMBLY (Continued)

13. Install No. 11 needle bearing with outer lip facing down.

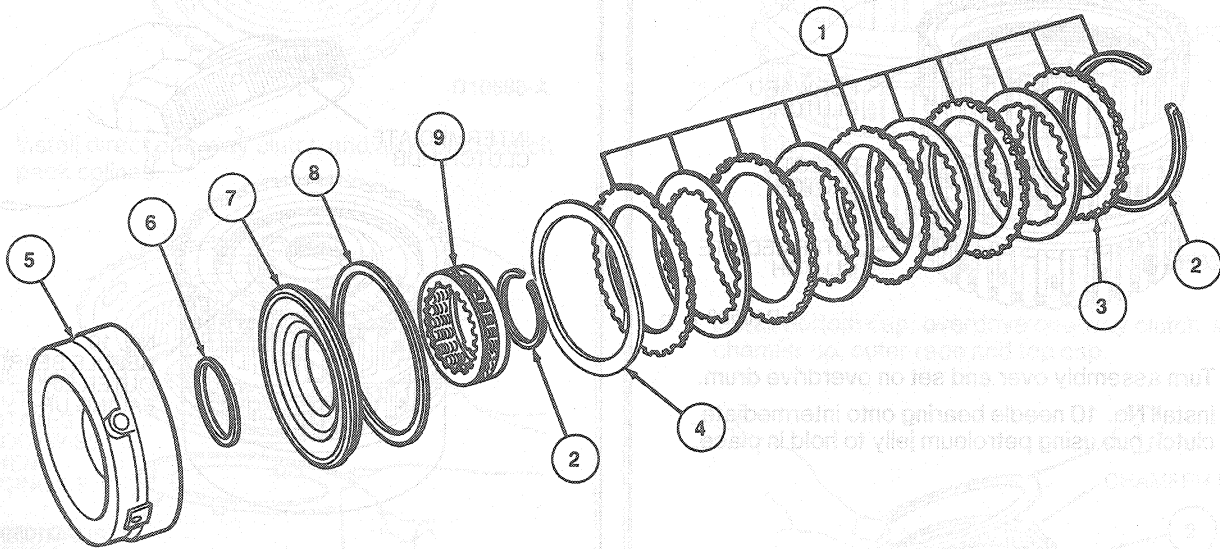


**Reverse Clutch
Disassembled View**

14. Install sun gear and shell assembly.



D10588-A



D5955-D

Item	Description
1	Clutch Pack
2	Snap Ring
3	Pressure Plate
4	Wave Spring

(Continued)

Item	Description
5	Clutch Cylinder
6	Inner Piston Seal
7	Piston
8	Outer Piston Seal
9	Return Spring