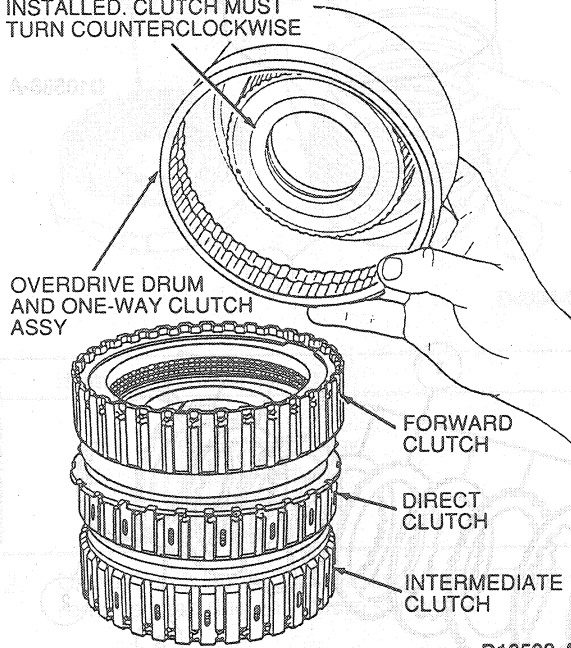


DISASSEMBLY AND ASSEMBLY (Continued)

Item	Part Number	Description
1	—	Top Oil Cap (Part of 7D171)
2	7D171	Overdrive One-Way Clutch
3	—	Outer Race (Part of 7D171)
4	7L669	Overdrive Drum
5	—	Bottom Oil Cap (Part of 7D171)

9. Install overdrive drum and one-way clutch assembly. Ensure drum is fully seated.

NOTE: ONE-WAY CLUTCH OUTER RACE GROOVE MUST BE VISIBLE, IF PROPERLY INSTALLED. CLUTCH MUST TURN COUNTERCLOCKWISE

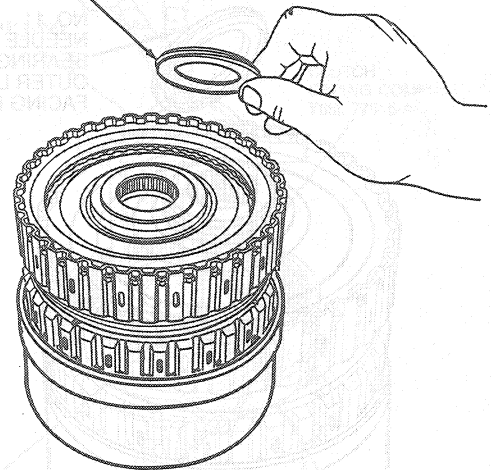


D10593-A

10. Turn assembly over and set on overdrive drum.
 11. Install No. 10 needle bearing onto intermediate clutch hub using petroleum jelly to hold in place.

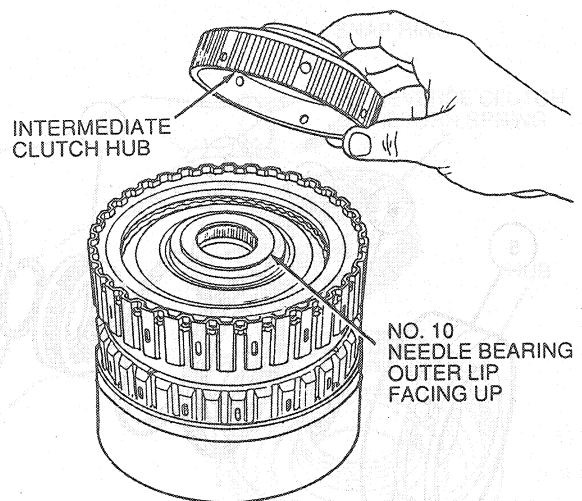
Item	Description
6	Clutch Cylinder
8	Inner Piston Seal
7	Piston
5	Outer Piston Seal
9	Return Spring

NO. 10 NEEDLE BEARING



D10592-A

12. Install intermediate clutch hub with No. 10 needle bearing. Ensure hub is fully seated.



D10591-A

Item	Description
1	Wave Springs
3	Pressure Plate
2	Snap Ring
4	Clutch Pack