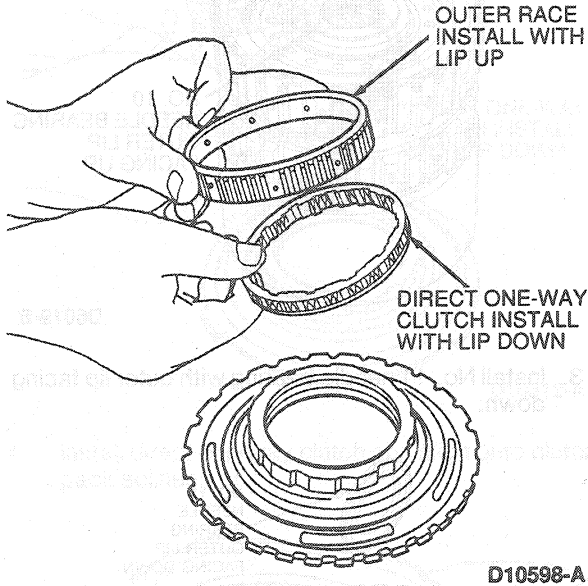


DISASSEMBLY AND ASSEMBLY (Continued)

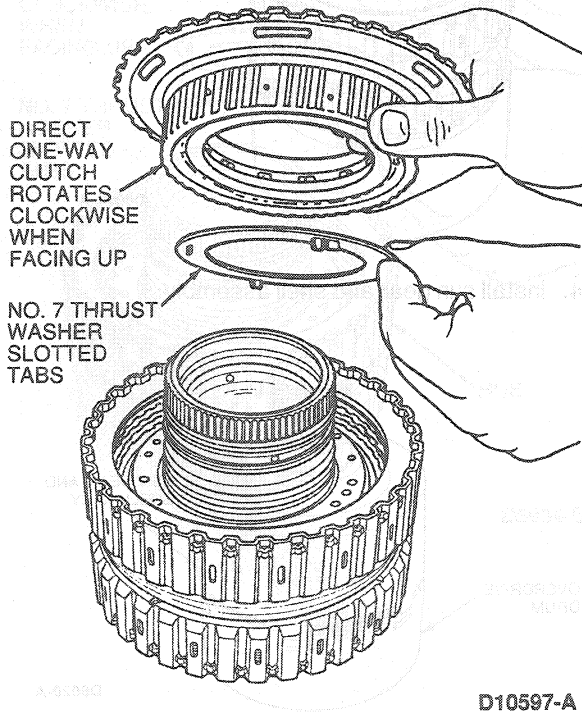
Shell Assembly—3.2L SHO

Assembly

1. Set on intermediate clutch cylinder.
2. Install No. 7 thrust washer into direct clutch being sure tabs are aligned with slots in direct clutch.
3. Install one-way clutch with lip down and race with lip up.

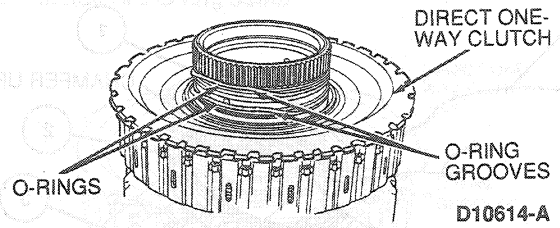


4. Install direct one-way clutch and align onto clutch pack splines.

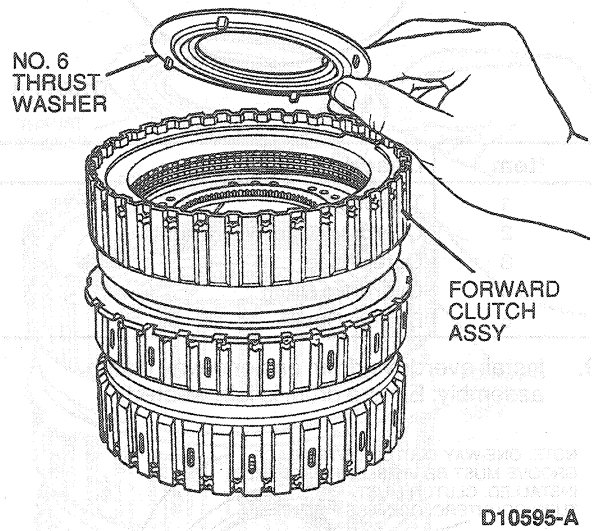


5. Install two O-ring seals.

DISASSEMBLY AND ASSEMBLY (Continued)



6. Install forward clutch assembly. Use caution not to damage the O-ring seals on direct clutch hub.
7. Install No. 6 thrust washer. Be sure oval pegs go into oval holes.



8. Install bottom cap, overdrive one-way clutch with chamfer up, outer race and top cap.

