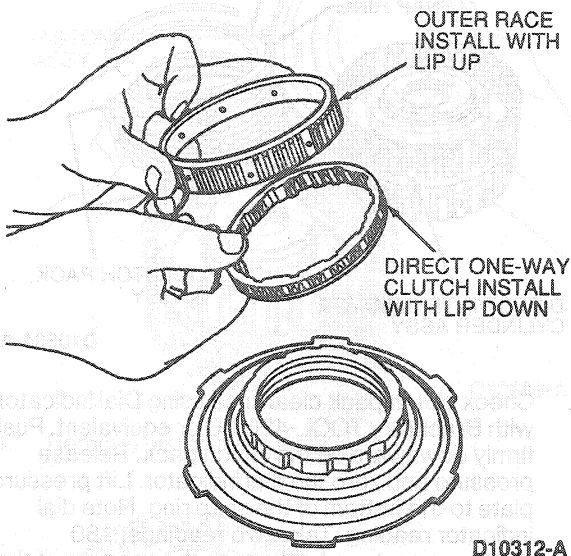
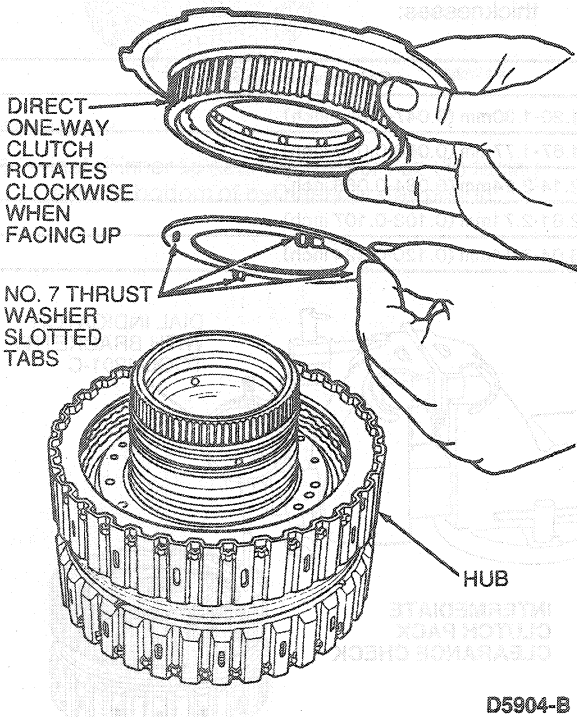


DISASSEMBLY AND ASSEMBLY (Continued)

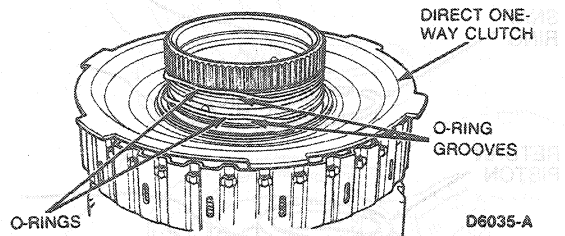
- 3. Install one-way clutch with lip down and race with lip up.



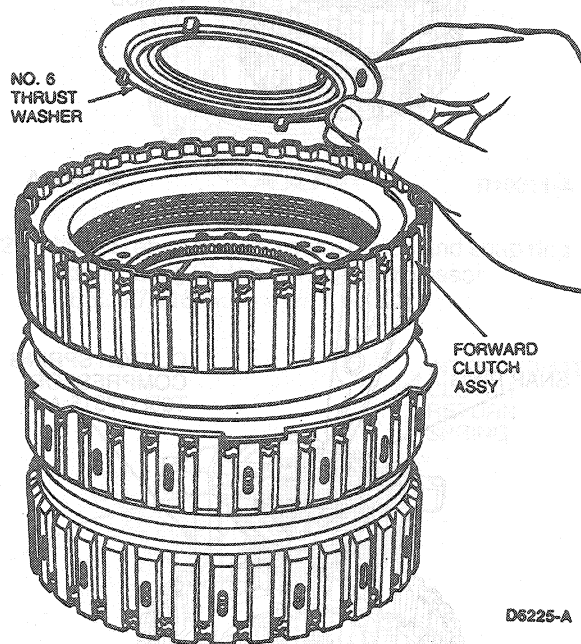
- 4. Install direct one-way clutch and align onto clutch pack splines.



- 5. Install two O-ring seals.



- 6. Install forward clutch assembly. Use caution not to damage the O-ring seals on direct clutch hub.
- 7. Install No. 6 thrust washer. Be sure oval pegs go into oval holes.



- 8. Install bottom cap, overdrive one-way clutch with chamfer up, outer race and top cap.