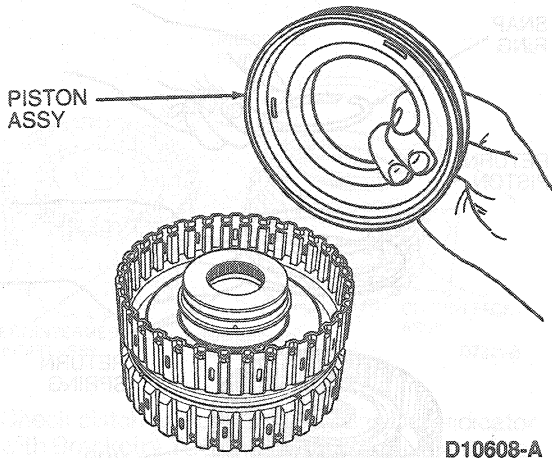
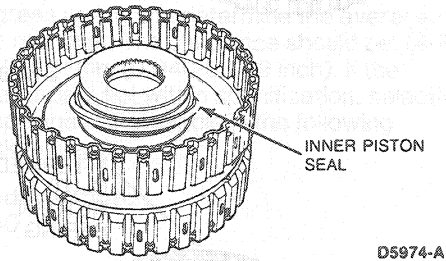


DISASSEMBLY AND ASSEMBLY (Continued)

3. Remove piston assembly.



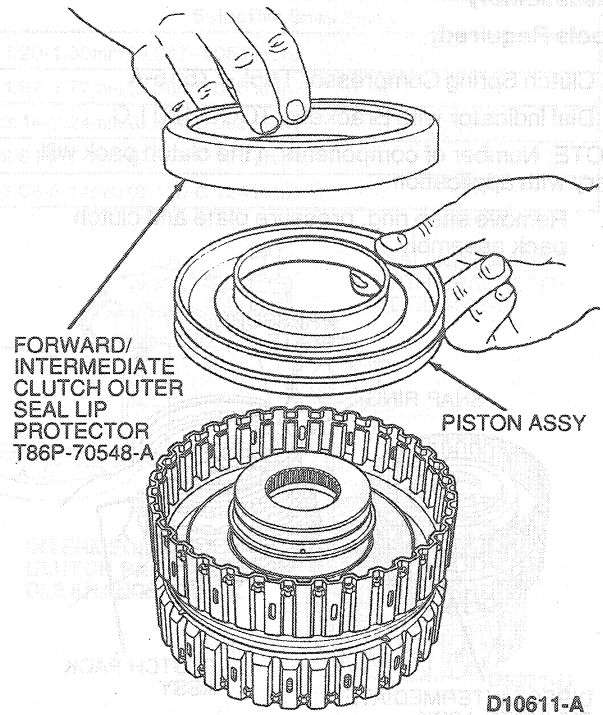
4. Remove piston inner seal.



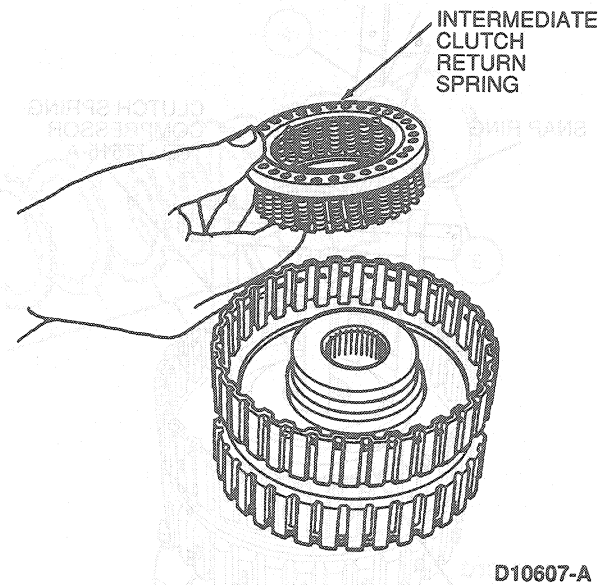
Assembly

1. Install inner lip seal on cylinder hub (lip facing toward bottom of cylinder). Install piston.

DISASSEMBLY AND ASSEMBLY (Continued)



2. Install return spring, return piston and snap ring spring using Clutch Spring Compressor T65L-77515-A.



Item	Part Number	Description
1	T65L-77515-A	Clutch Spring Compressor
2	T86P-70548-A	Forward/Intermediate Clutch Outer Seal Lip Protector
3	T65L-77515-A	Clutch Spring Compressor
4	T65L-77515-A	Clutch Spring Compressor

(Continued)

Item	Part Number	Description
1	T65L-77515-A	Clutch Spring Compressor
2	T65L-77515-A	Clutch Spring Compressor
3	T65L-77515-A	Clutch Spring Compressor
4	T65L-77515-A	Clutch Spring Compressor
5	T65L-77515-A	Clutch Spring Compressor
6	T65L-77515-A	Clutch Spring Compressor
7	T65L-77515-A	Clutch Spring Compressor
8	T65L-77515-A	Clutch Spring Compressor