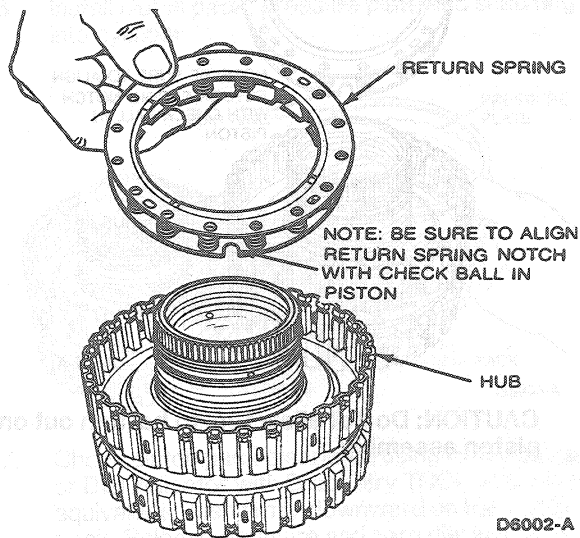
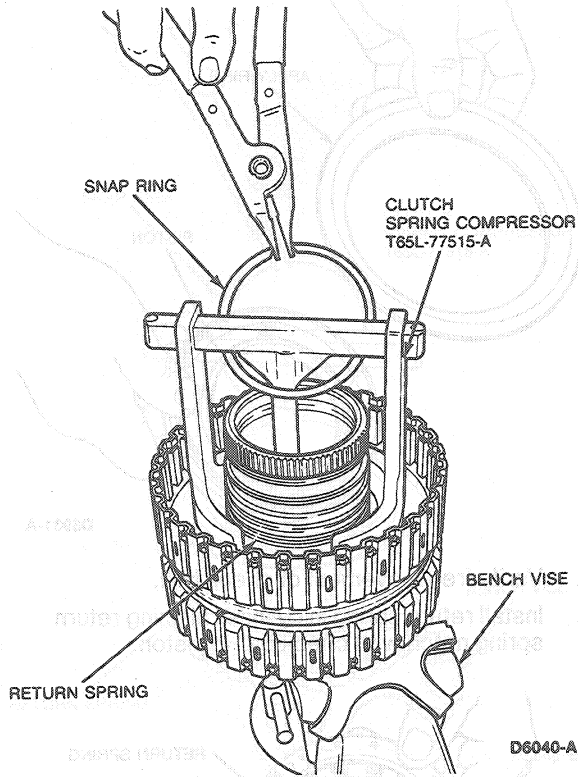


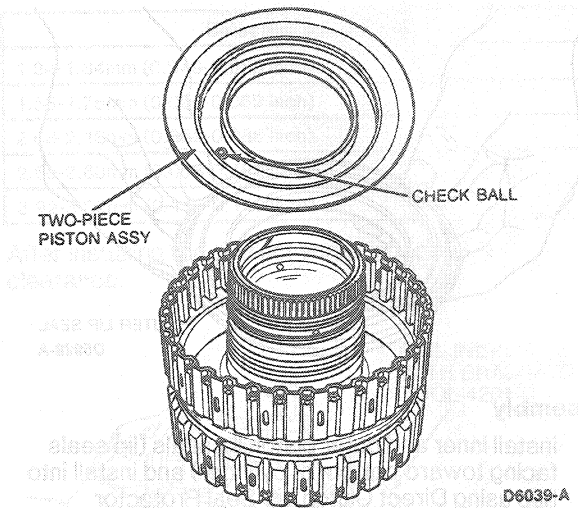
DISASSEMBLY AND ASSEMBLY (Continued)

- 3. Remove snap ring and return spring using Clutch Spring Compressor T65L-77515-A.

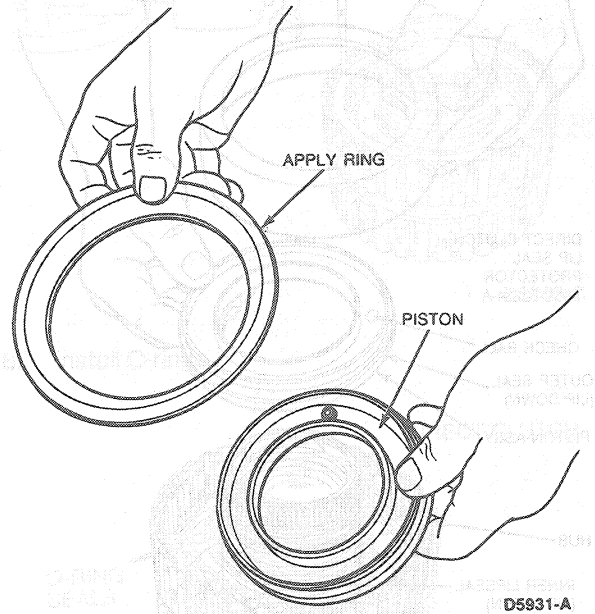


- 4. Remove two-piece piston assembly.

DISASSEMBLY AND ASSEMBLY (Continued)



- 5. Disassemble two-piece piston.



- 6. Remove piston inner and outer lip seals.

