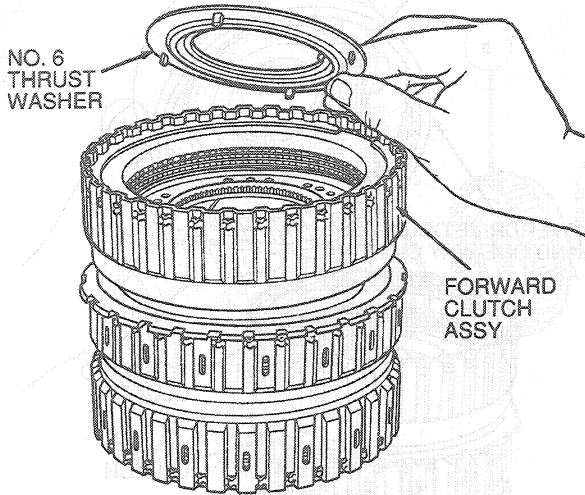


DISASSEMBLY AND ASSEMBLY (Continued)

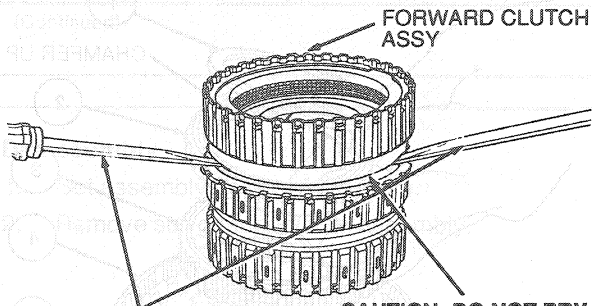
9. Remove No. 6 thrust washer.



D10595-A

**NOTE:** Direct clutch hub O-ring seals retain forward clutch on hub. Pry evenly and do not locate screwdriver ends on or near forward clutch check ball.

10. Remove forward clutch assembly by prying up on each side with two screwdrivers.

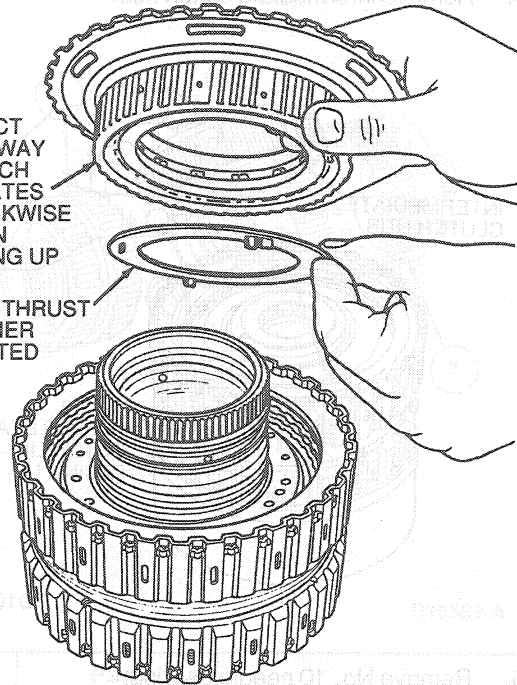


D10596-A

11. Remove direct one-way clutch and No. 7 thrust washer.

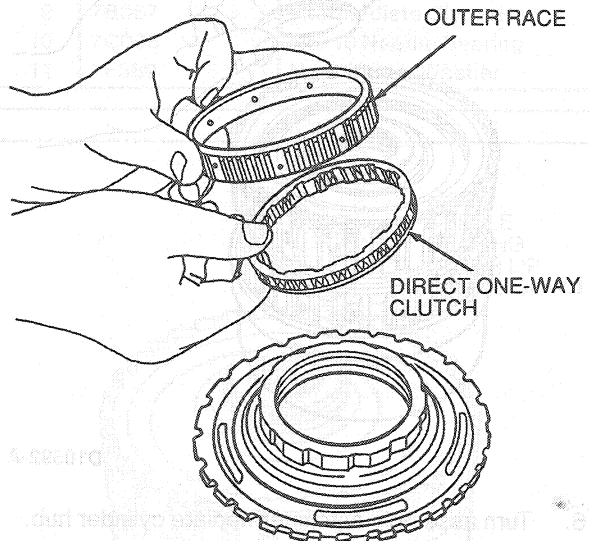
DIRECT ONE-WAY CLUTCH ROTATES CLOCKWISE WHEN FACING UP

NO. 7 THRUST WASHER SLOTTED TABS



D10597-A

12. Remove direct one-way clutch outer race and one-way clutch.



D11458-A

Item	Part Number	Quantity
1	7D171	1
2	7D172	1
3	7D173	1
4	7D174	1
5	7D175	1