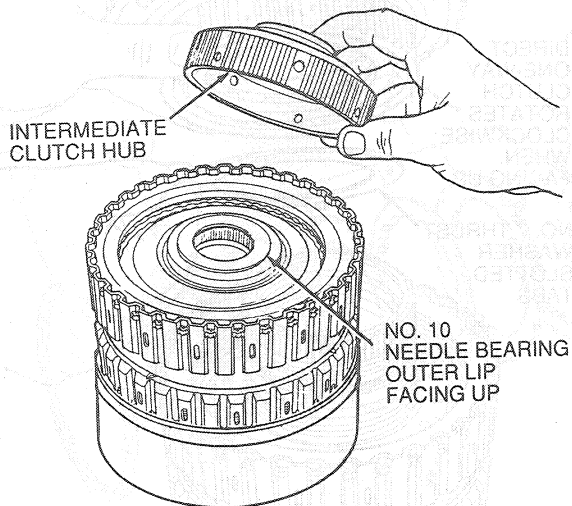


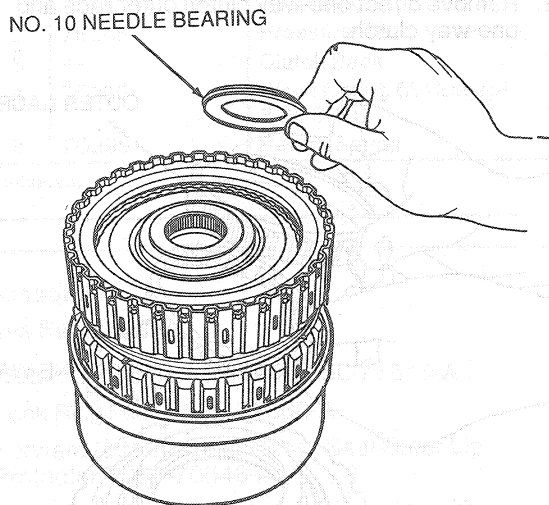
**DISASSEMBLY AND ASSEMBLY (Continued)**

4. Remove intermediate clutch hub.



D10591-A

5. Remove No. 10 needle bearing.

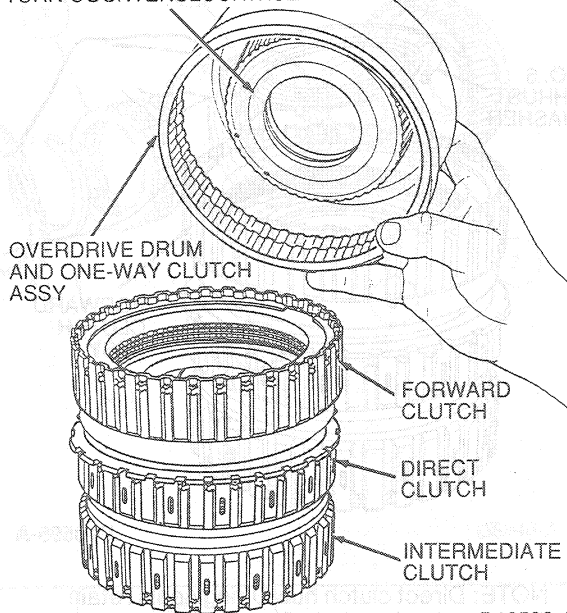


D10592-A

6. Turn assembly onto intermediate cylinder hub.

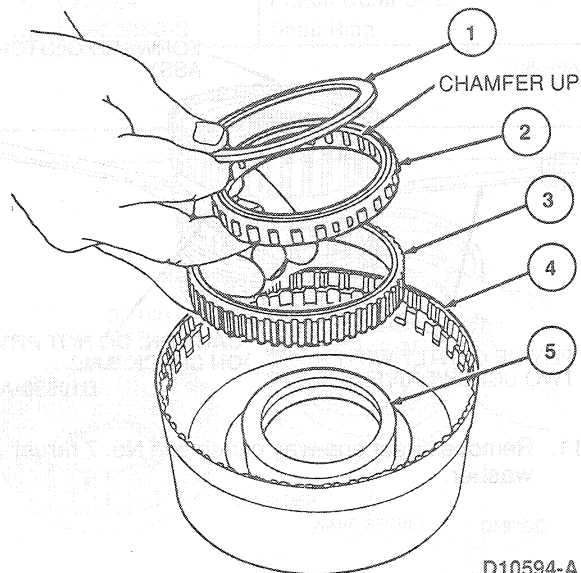
7. Remove overdrive drum and one-way clutch assembly.

NOTE: ONE-WAY CLUTCH OUTER RACE GROOVE MUST BE VISIBLE, IF PROPERLY INSTALLED. CLUTCH MUST TURN COUNTERCLOCKWISE



D10593-A

8. Remove one-way clutch outer race, top cap, one-way clutch and bottom cap from drum.



D10594-A

Item	Part Number	Description
1	—	Top Oil Cap (Part of 7D171)
2	7D171	Overdrive One-Way Clutch
3	—	Outer Race (Part of 7D171)
4	7L669	Overdrive Drum
5	—	Bottom Oil Cap (Part of 7D171)