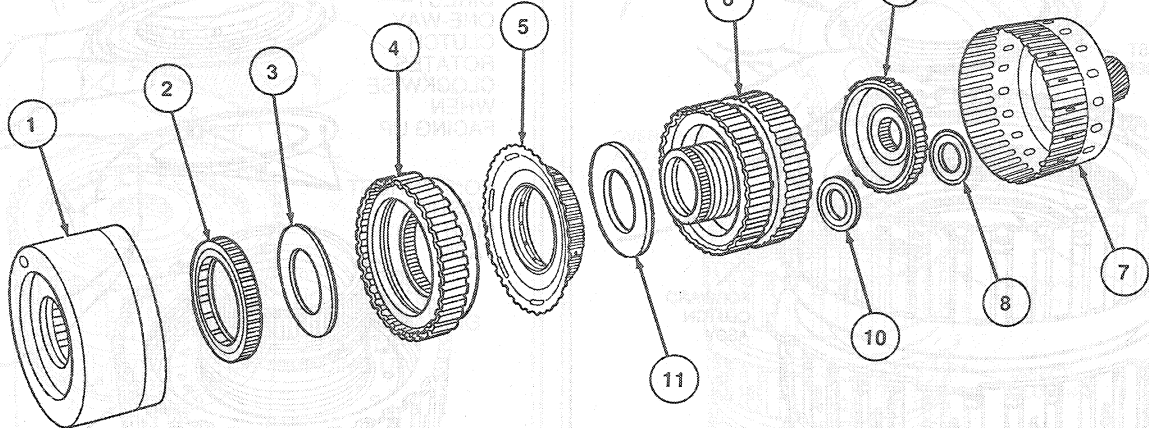


DISASSEMBLY AND ASSEMBLY (Continued)

Shell Assembly—3.2L SHO



D10589-A

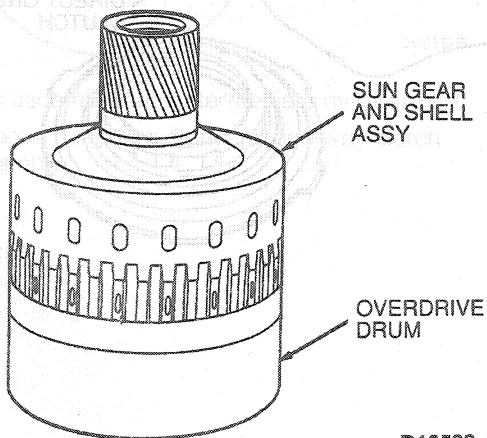
Item	Part Number	Description
1	7L669	Overdrive One-Way Clutch
2	7D171	Low One-Way Clutch
3	7A166	No. 6 Thrust Washer
4	7A360	Forward Clutch
5	7G156	Direct One-Way Clutch

(Continued)

Item	Part Number	Description
6	7G120	Direct Intermediate Clutch Assy
7	7D064	Sun Gear and Shell Assy
8	7C096	No. 11 Needle Bearings
9	7B067	Intermediate Clutch Hub
10	7C096	No. 10 Needle Bearing
11	7F369	No. 7 Thrust Washer

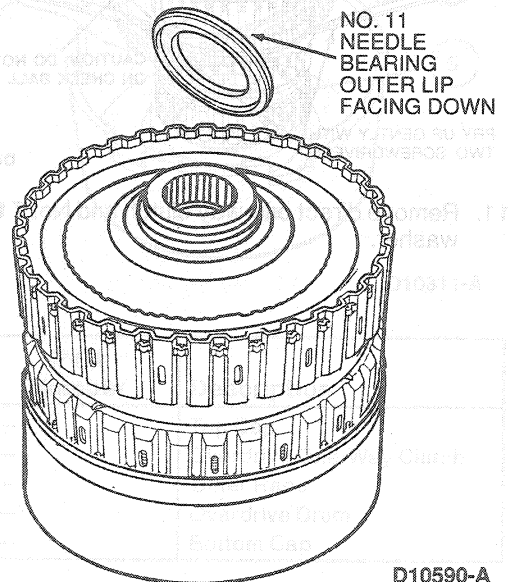
Disassembly

1. Set assembly on overdrive drum.
2. Remove sun gear and shell assembly.



D10588-A

3. Remove No. 11 needle bearing.



D10590-A