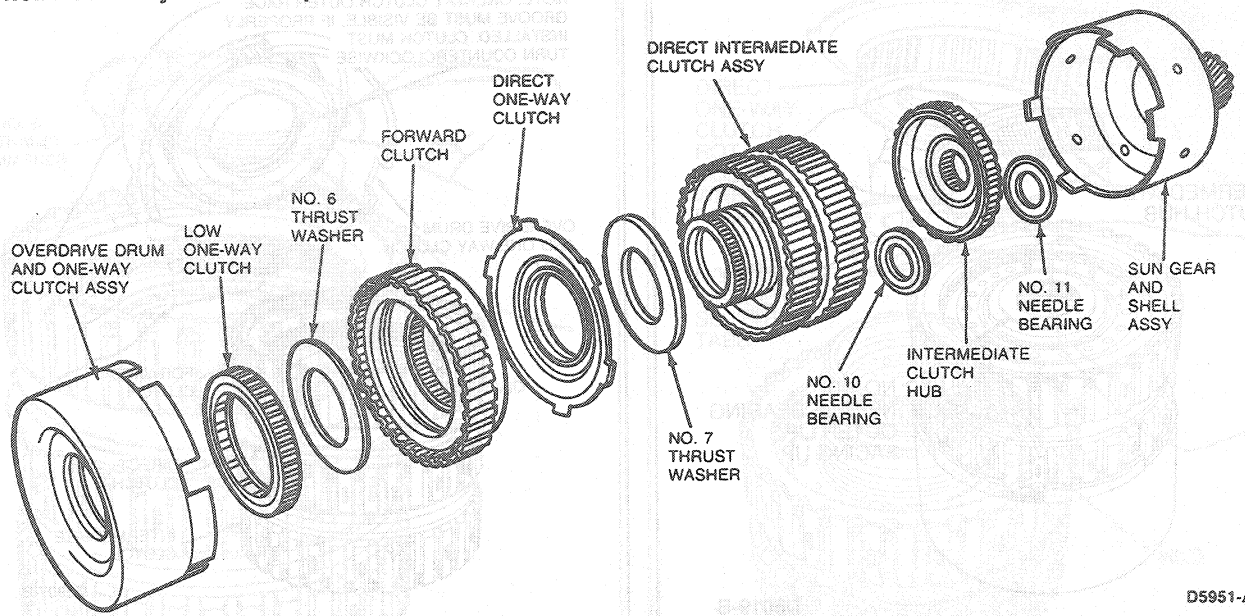


DISASSEMBLY AND ASSEMBLY (Continued)

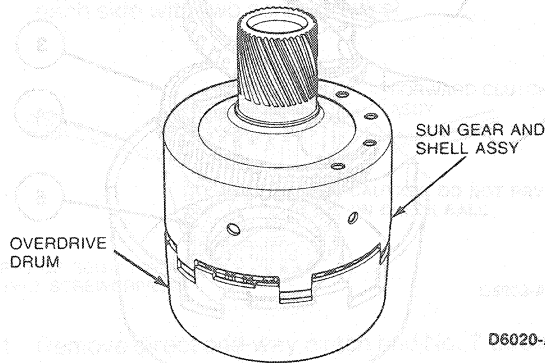
Shell Assembly—All Except 3.2L SHO



D5951-A

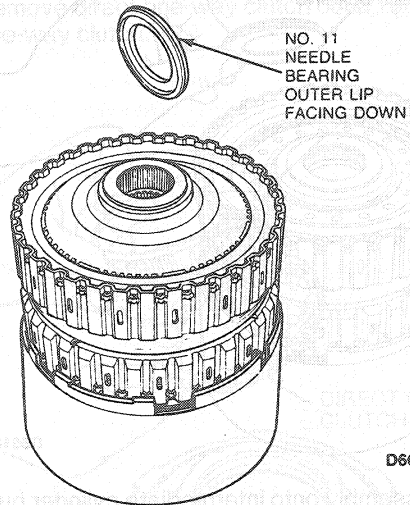
Disassembly

1. Set assembly on overdrive drum.
2. Remove sun gear and shell assembly.



D6020-A

3. Remove No. 11 needle bearing.



D6021-A

Item	Part Number	Description
1	---	Top Cap
2	---	Overdrive One-Way Clutch
3	---	Outer Race
4	---	Overdrive Drum
5	---	Bottom Cap