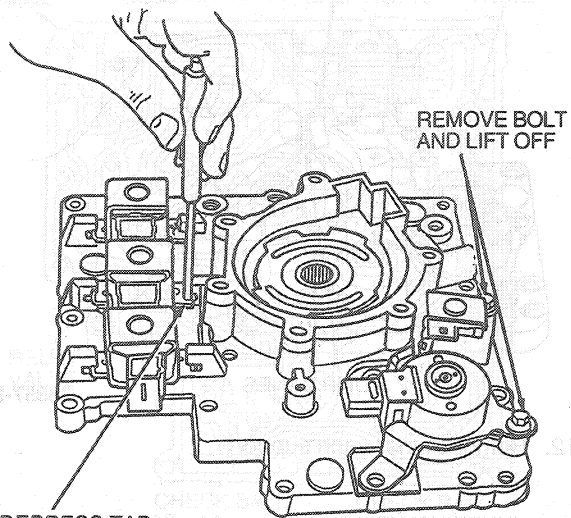


DISASSEMBLY AND ASSEMBLY (Continued)

14. Remove solenoids, one remaining bolt-EPC and one bolt-lock-up. Depress tab and twist off shift solenoids.



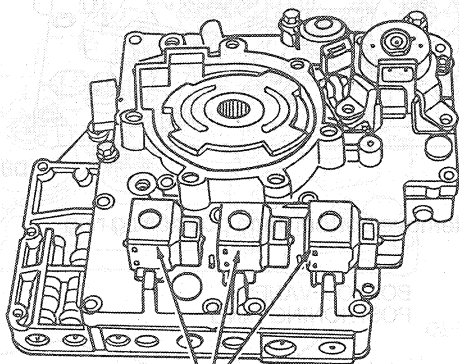
REMOVE BOLT AND LIFT OFF

DEPRESS TAB, TWIST COUNTERCLOCKWISE AND LIFT OFF

D10307-B

Assembly

1. Install solenoids. Refer to illustration for proper orientation of shift solenoids.

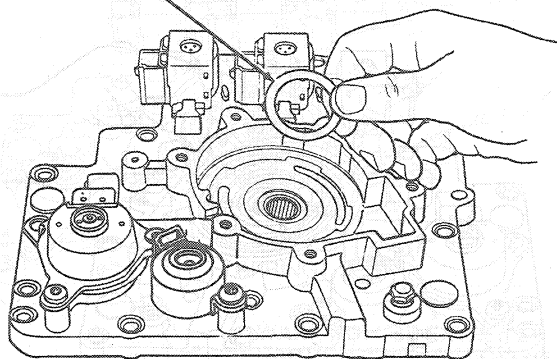


NOTE PLACEMENT OF CONNECTORS

D10308-B

2. Install bottom vane positioning ring.

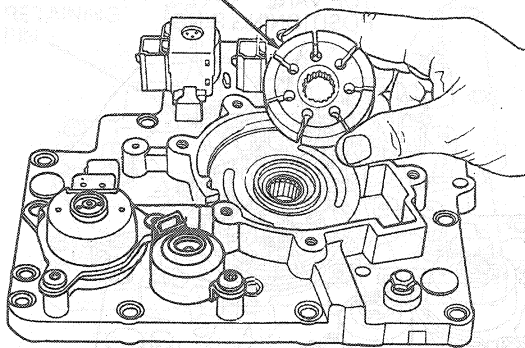
BOTTOM VANE POSITIONING RING



D8859-B

3. Install inner vane support with small inside diameter counter bore facing up.

INNER VALVE SUPPORT

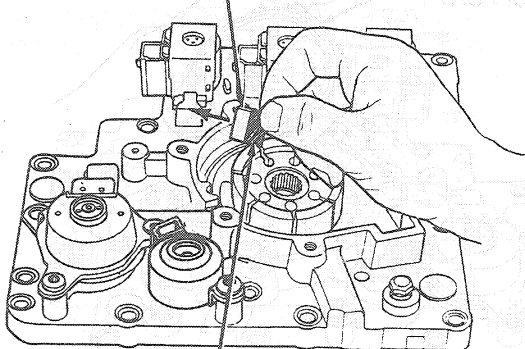


D8858-B

NOTE: Shiny portion of vane blade is installed toward outer vane support.

4. Install seven vanes in inner vane support.

SHINY EDGE MUST FACE IN DIRECTION OF ARROW



PUMP VANES

D8857-B