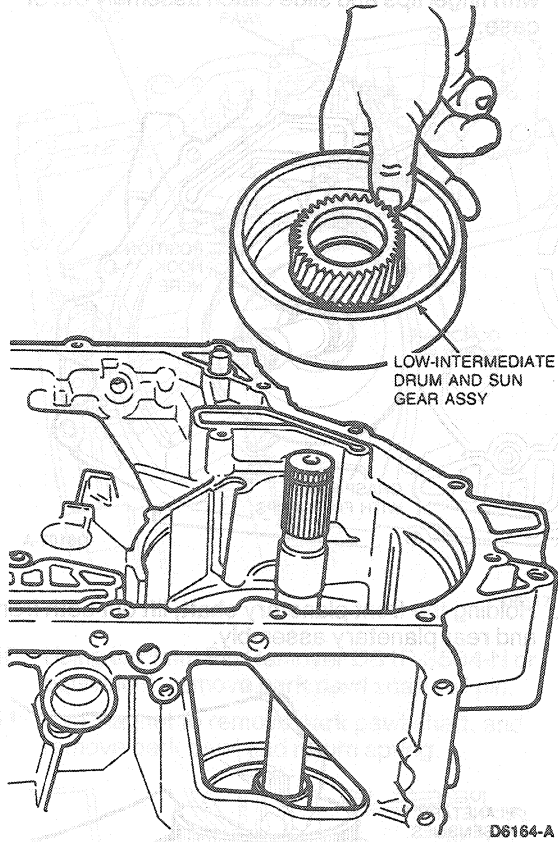
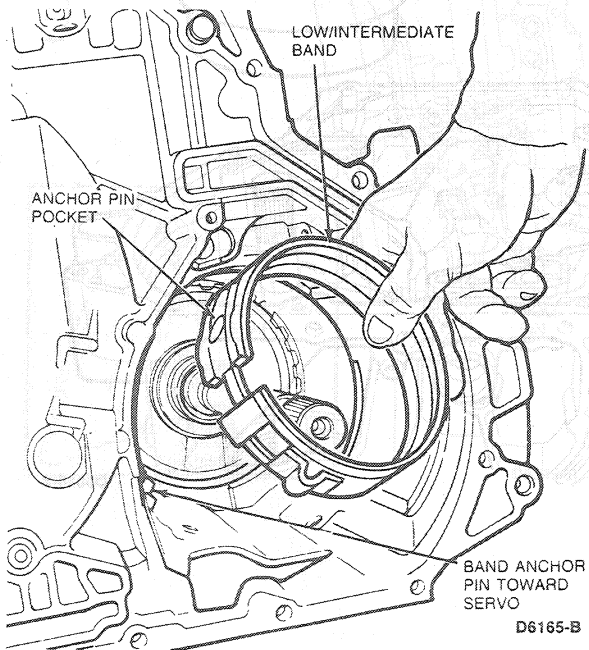


DISASSEMBLY AND ASSEMBLY (Continued)

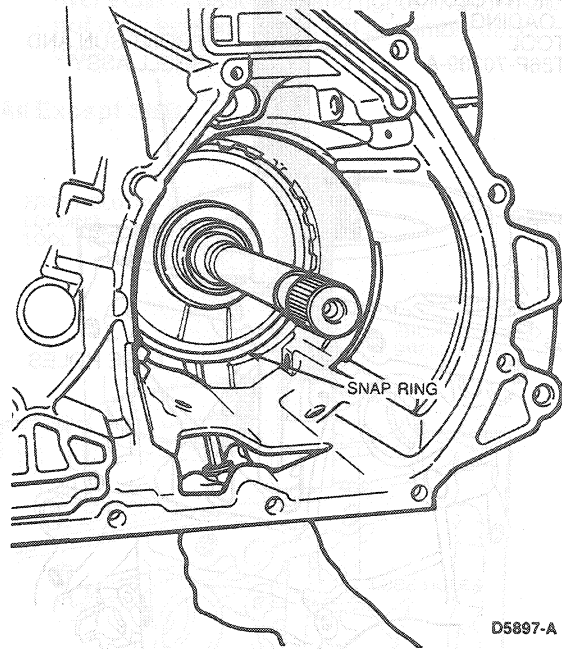
56. Lift out low-intermediate drum and sun gear assembly.



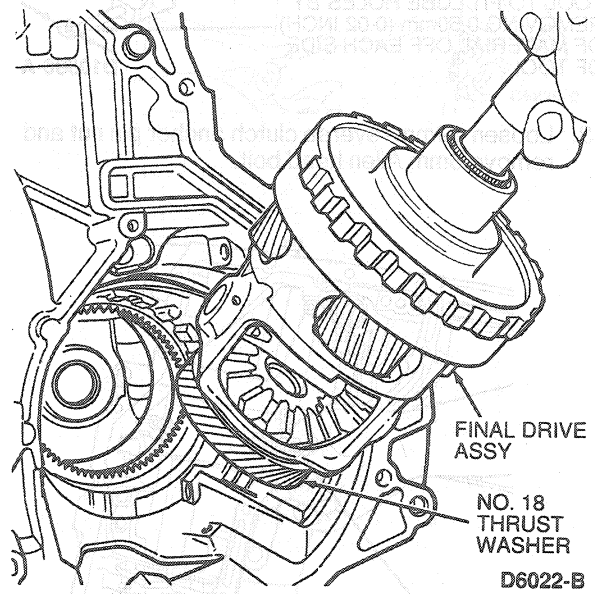
57. Remove low-intermediate band.



58. Remove final drive gear assembly snap ring from case using a screwdriver inserted through side of case.



59. Lift out final drive assembly using output shaft.



NOTE: No. 18 thrust washer may remain on the final drive assembly next to speedometer drive gear.