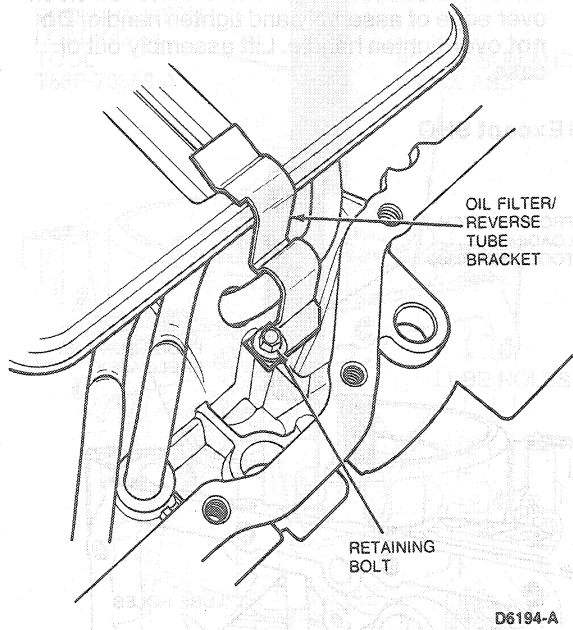


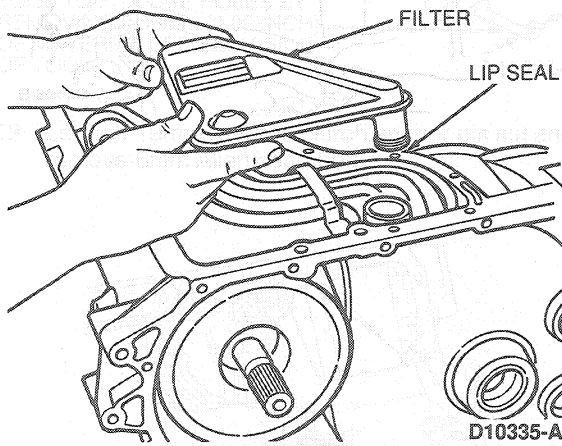
DISASSEMBLY AND ASSEMBLY (Continued)

- 45. Remove 8mm reverse apply tube / oil filter bracket bolt and bracket.



NOTE: Lip seal may stick inside case.

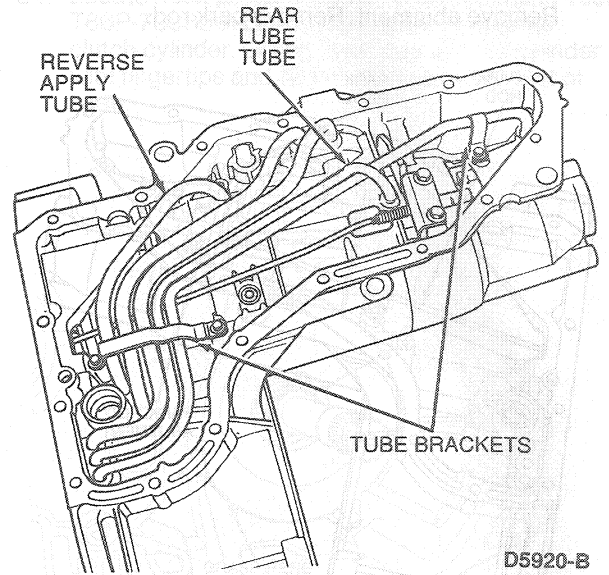
- 46. Remove oil filter screen and discard lip seal.



NOTE: For complete transaxle disassembly, the reverse apply tube and rear lube tube **must** be removed prior to removing the reverse clutch, or the differential.

- 47. Remove 8mm tube bracket bolts and brackets.

DISASSEMBLY AND ASSEMBLY (Continued)



- 48. Remove lube tubes using Lube Tube Remover T86P-70001-A and Impact Side Hammer T59L-100-B.

