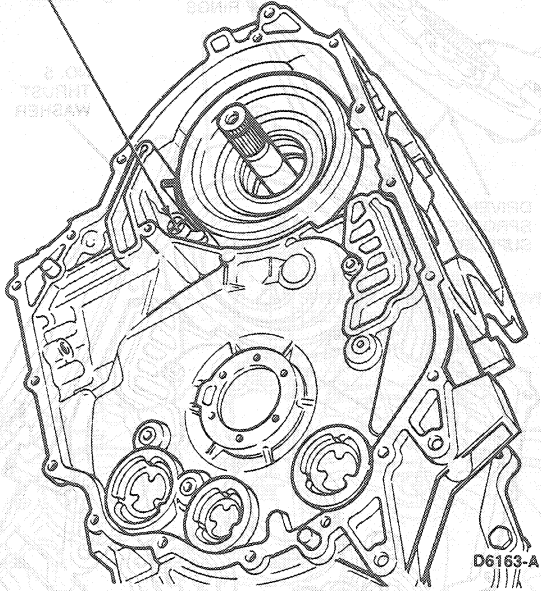


DISASSEMBLY AND ASSEMBLY (Continued)

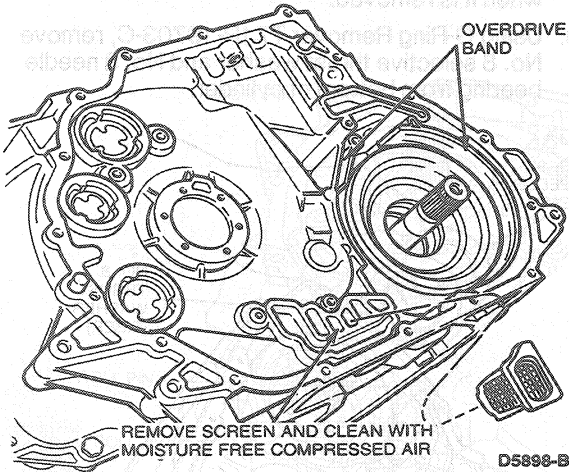
40. Remove plastic overdrive band retainer.

OVERDRIVE  
BAND RETAINER



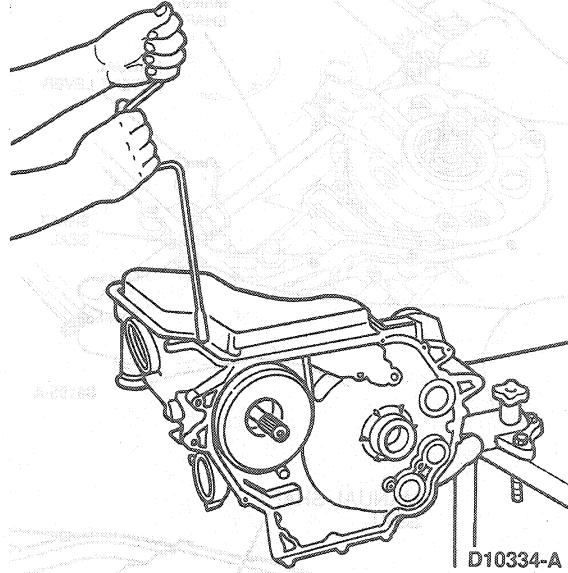
41. Remove overdrive band. Remove screen filter and clean with compressed air.

OVERDRIVE  
BAND



42. Rotate transaxle to horizontal position with oil pan up.

43. Remove 17 8mm oil pan cover bolts. Remove cover and discard gasket.



44. Remove magnet from oil pan.

PAN MAGNET

