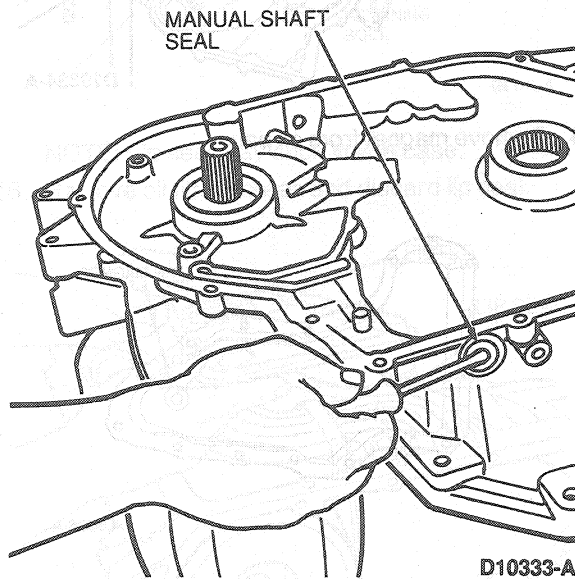
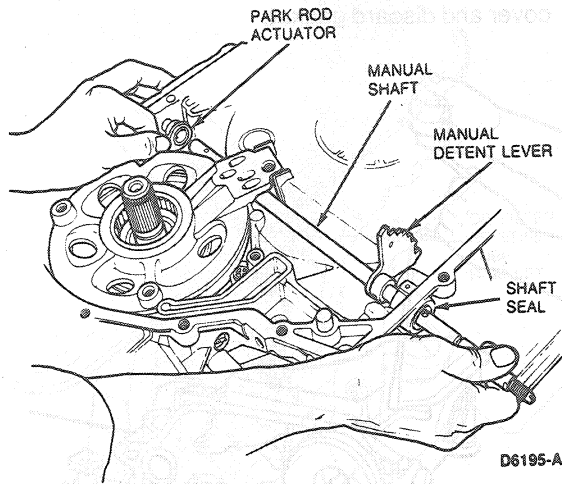


DISASSEMBLY AND ASSEMBLY (Continued)

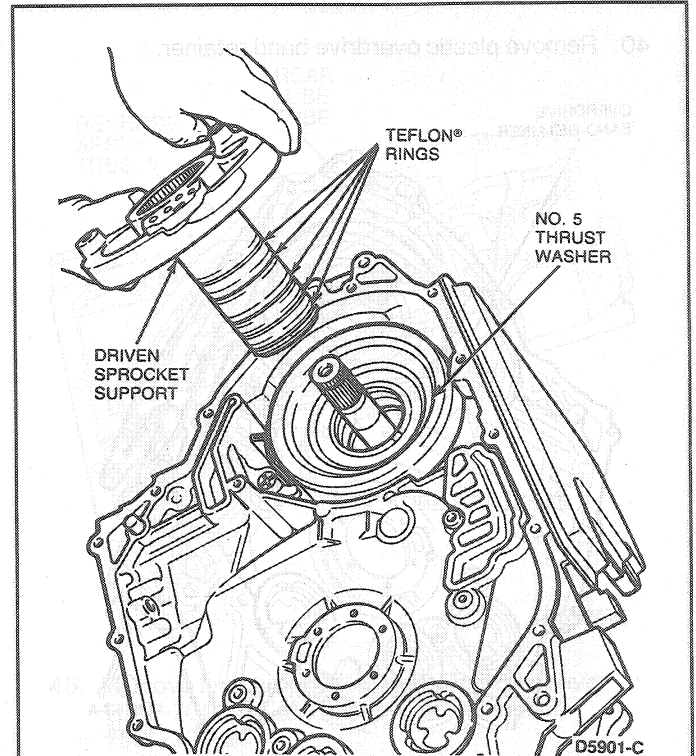
36. Slide manual linkage shaft out of case. Then, pry seal out of case.



37. Remove driven sprocket support assembly and remove five Teflon® seals from support.

NOTE: Thrust washer may remain on sprocket support assembly.

38. Remove No. 5 selective thrust washer.



NOTE: Thrust washer and needle bearing may remain on driven sprocket support assembly when it is removed.

39. Using O-Ring Remover T7 1P-19703-C, remove No. 8 selective thrust washer and No. 9 needle bearing from bottom of cylinder.

