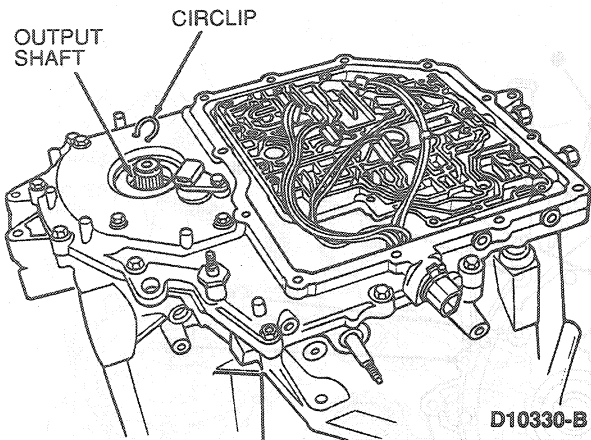


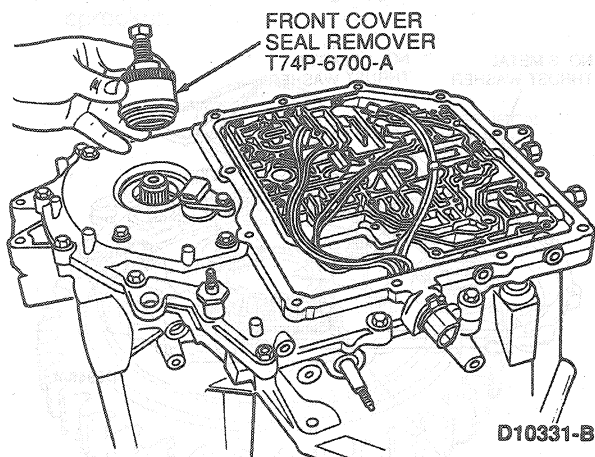
## DISASSEMBLY AND ASSEMBLY (Continued)

23. Remove and discard output shaft circlip.

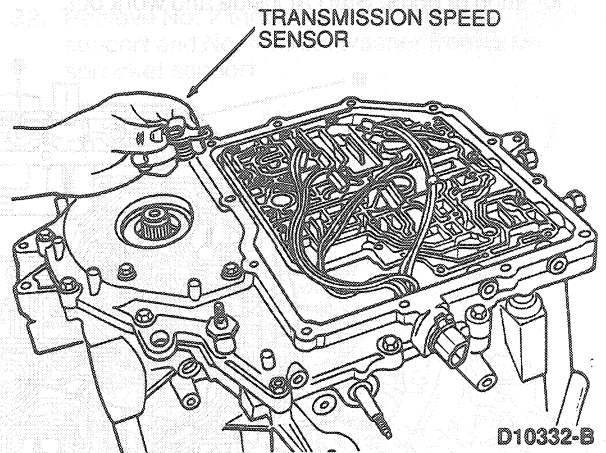


24. Remove LH output shaft seal as follows:

- Screw Front Cover Seal Remover T74P-6700-A into metal seal protector.
- Tighten screw on the end of tool until metal seal protector is removed.
- Remove metal seal protector from tool and install tool into seal.
- Tighten screw on end of tool until seal is removed.



25. Remove 8mm bolt and TSS.



**CAUTION:** Chain cover is under spring pressure. Use care when removing.