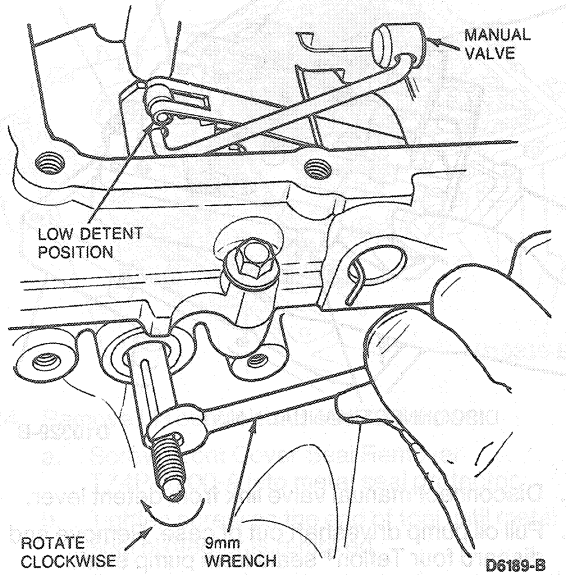


DISASSEMBLY AND ASSEMBLY (Continued)

- 18. Using a 9mm wrench on flats on end of manual shaft, rotate shaft clockwise to position manual linkage in LOW detent (valve positioned all the way in).



- 25. **CAUTION: Do not remove the two bolts that retain the oil pump and valve body assembly together.**

CAUTION: Do not remove oil pump cover bolts.

- 19. Remove 22 8mm oil pump and valve body assembly retaining bolts. Note length and location of bolts.

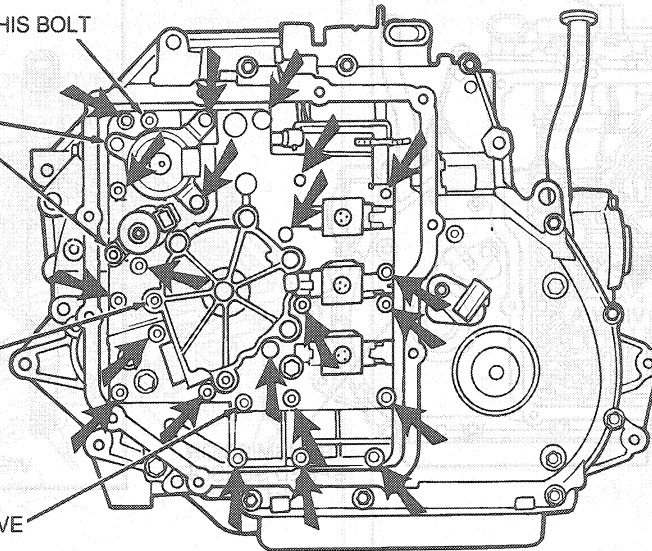
DO NOT REMOVE THIS BOLT

DO NOT REMOVE THESE BOLTS

DO NOT REMOVE SIX OIL PUMP COVER BOLTS

DO NOT REMOVE THIS BOLT

REMOVE VALVE BODY BOLTS INDICATED BY ARROWS



D8071-C