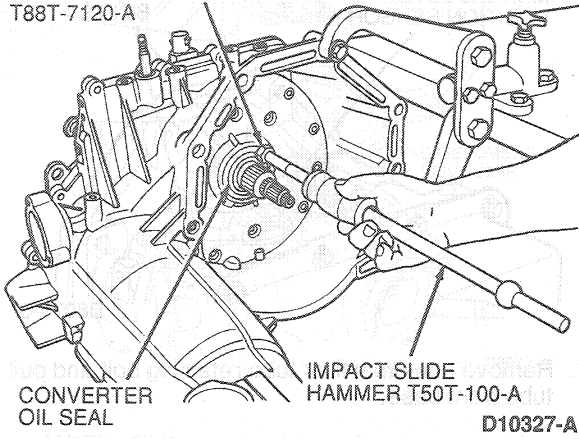


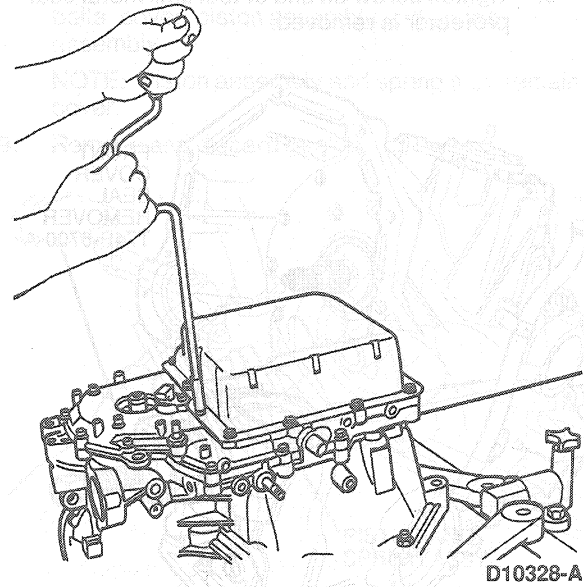
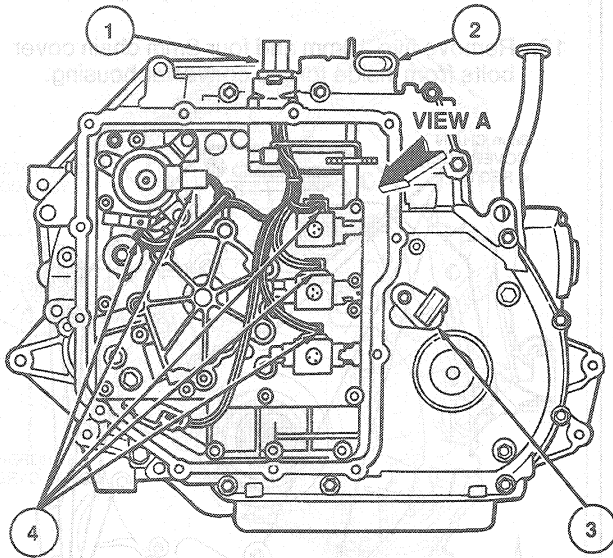
**DISASSEMBLY AND ASSEMBLY (Continued)**

14. Remove converter oil seal using Bearing Race Puller T88T-7120-A and Impact Slide Hammer T50T-100-A.

BEARING RACE PULLER  
T88T-7120-A

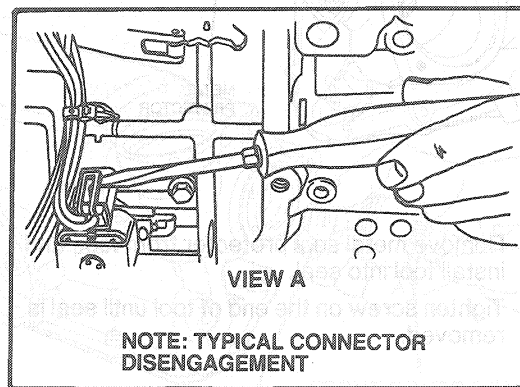


15. Rotate transaxle to vertical position.
16. Remove 12 10mm pump and valve body cover (upper reservoir) bolts. Remove cover and discard gasket.



17. Disconnect electrical connectors from Transmission Oil Temperature (TOT) and solenoids. Remove wire retaining clip from separator plate.

**CAUTION: Use both hands. Do not pull on wires.**



Item	Part Number	Description
1	—	Connector
2	—	Neutral Safety Switch Assy
3	7M101	Transmission Speed Sensor
4	—	Electrical Connectors

TD8074C