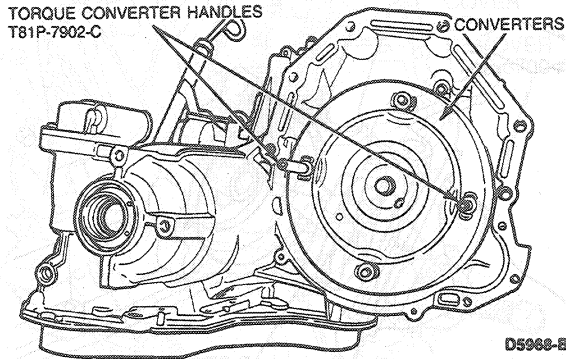


DISASSEMBLY AND ASSEMBLY (Continued)

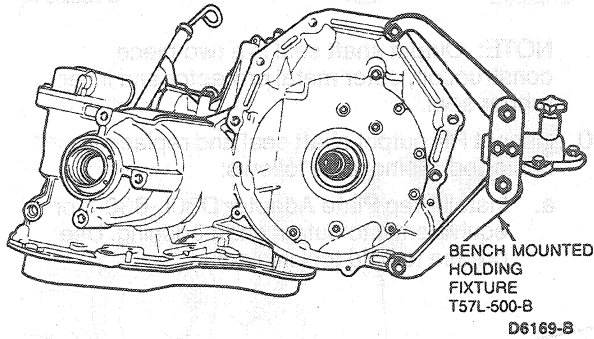
Disassembly

CAUTION: The torque converter is heavy. Be careful not to drop it.

1. Install Torque Converter Handles T81P-7902-C. Remove converter from transaxle.

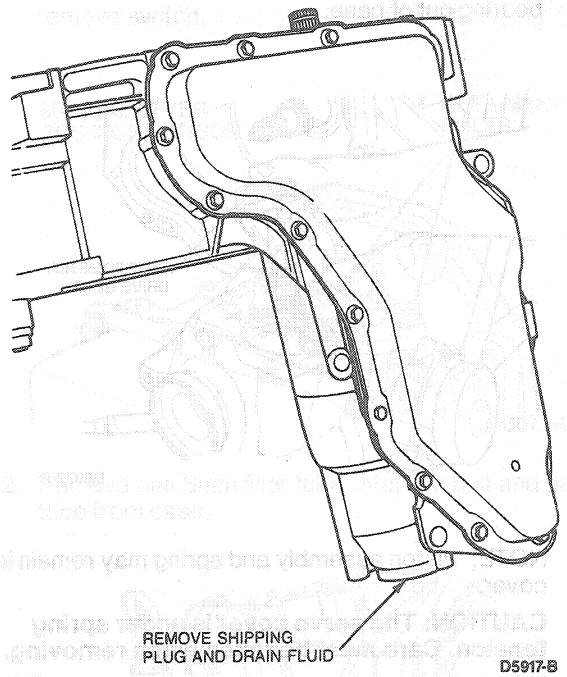


2. Mount transaxle in Bench Mounted Holding Fixture T57L-500-B.

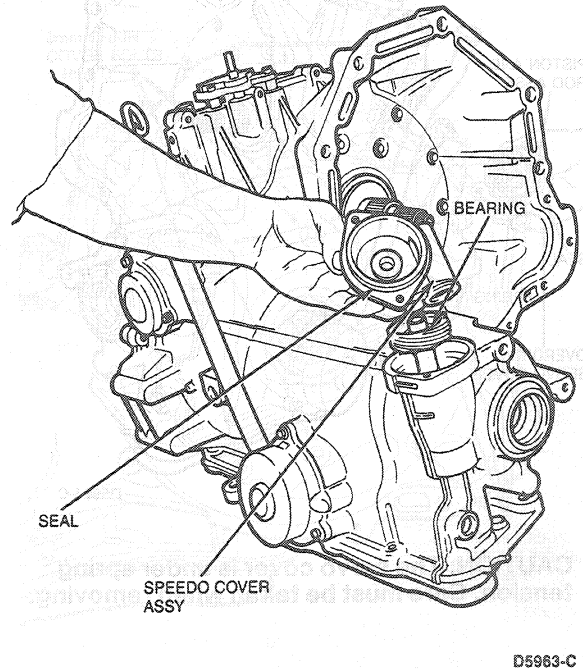


3. Turn transaxle in vertical position. Remove shipping plugs and drain fluid.

DISASSEMBLY AND ASSEMBLY (Continued)



4. Return transaxle to horizontal position.
5. Remove two 8mm speedometer cover bolts, cover and seal. Discard seal. A new one must be installed during assembly.



NOTE: Bearing sits on top of speedometer gear.