

REMOVAL (Continued)

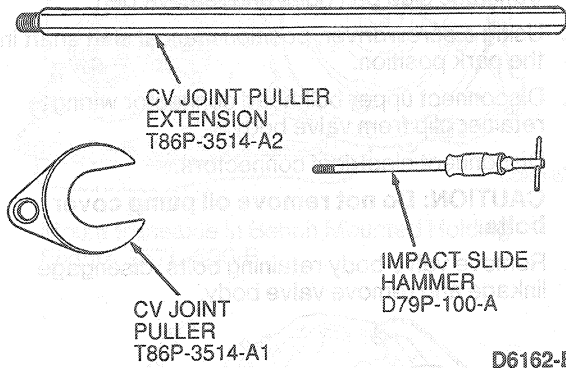
46. Position transaxle jack.

CAUTION: Make sure puller does not contact transmission speed sensor or damage will result.

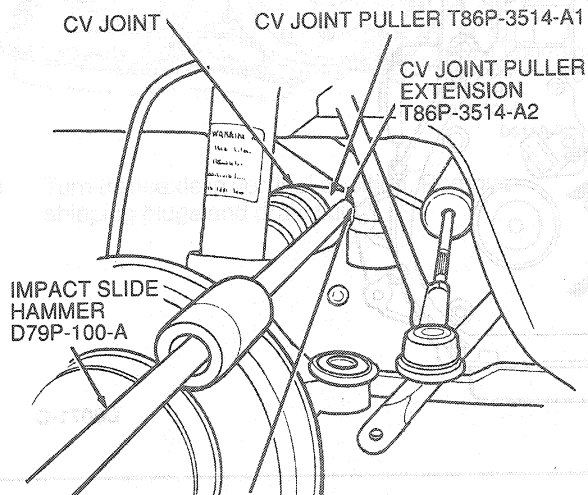
CAUTION: Do not pry against case.

47. Remove halfshafts as follows:

- Screw Extension T86P-3514-A2 into CV Joint Puller T86P-3514-A1 and install Impact Slide Hammer D79P-100-A or equivalent into extension.



- Position puller behind CV joint and remove joint.
- Install shipping plugs.



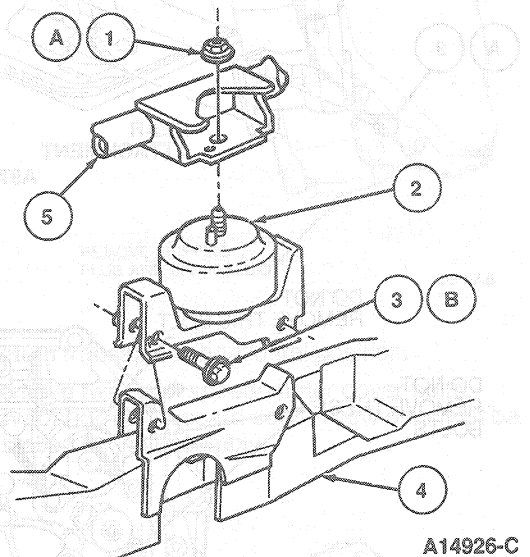
CAUTION: MAKE SURE PULLER DOES NOT CONTACT TRANSMISSION SPEED SENSOR OR DAMAGE WILL RESULT.

- 48. Remove the last two 15mm torque converter housing bolts.
- 49. Separate transaxle from engine and carefully lower transaxle out of vehicle.

Oil Pump and Main Control Assembly

- 1. Disconnect battery ground cable.

- 2. Remove battery and battery tray.
- 3. Secure supply hoses, vacuum lines and wiring away from pump and valve body cover.
- 4. Remove shift lever.
- 5. Remove splash shield cover from ABS if equipped.
- 6. Remove brake reservoir hose from ABS and cap ends to prevent contamination, if equipped.
- 7. Install engine support equipment as outlined under transaxle removal.
- 8. Remove LH transaxle mount.



Item	Part Number	Description
1A	N800937-S102	Nut
2	6F063(LH)	Engine Mount Assy
3B	N804749-S100	Bolt (2 Req'd)
4	—	Frame
5	6F065	Support Assy
A		Tighten to 74-102 N-m (55-75 Lb-Ft)
B		Tighten to 81-116 N-m (60-85 Lb-Ft)

TA14926C

- 9. Remove transaxle side pan upper retaining bolts.
- 10. Raise vehicle on hoist. Refer to Section 00-02.
- 11. Remove LH front wheel and tire assembly.
- 12. Remove inner fender cover and position out of way.
- 13. Remove rear transaxle mount bolt.
- 14. Loosen two LH subframe retaining bolts.
- 15. Remove two engine support mount bolts.
- 16. Remove four bolts retaining LH engine support and remove support.