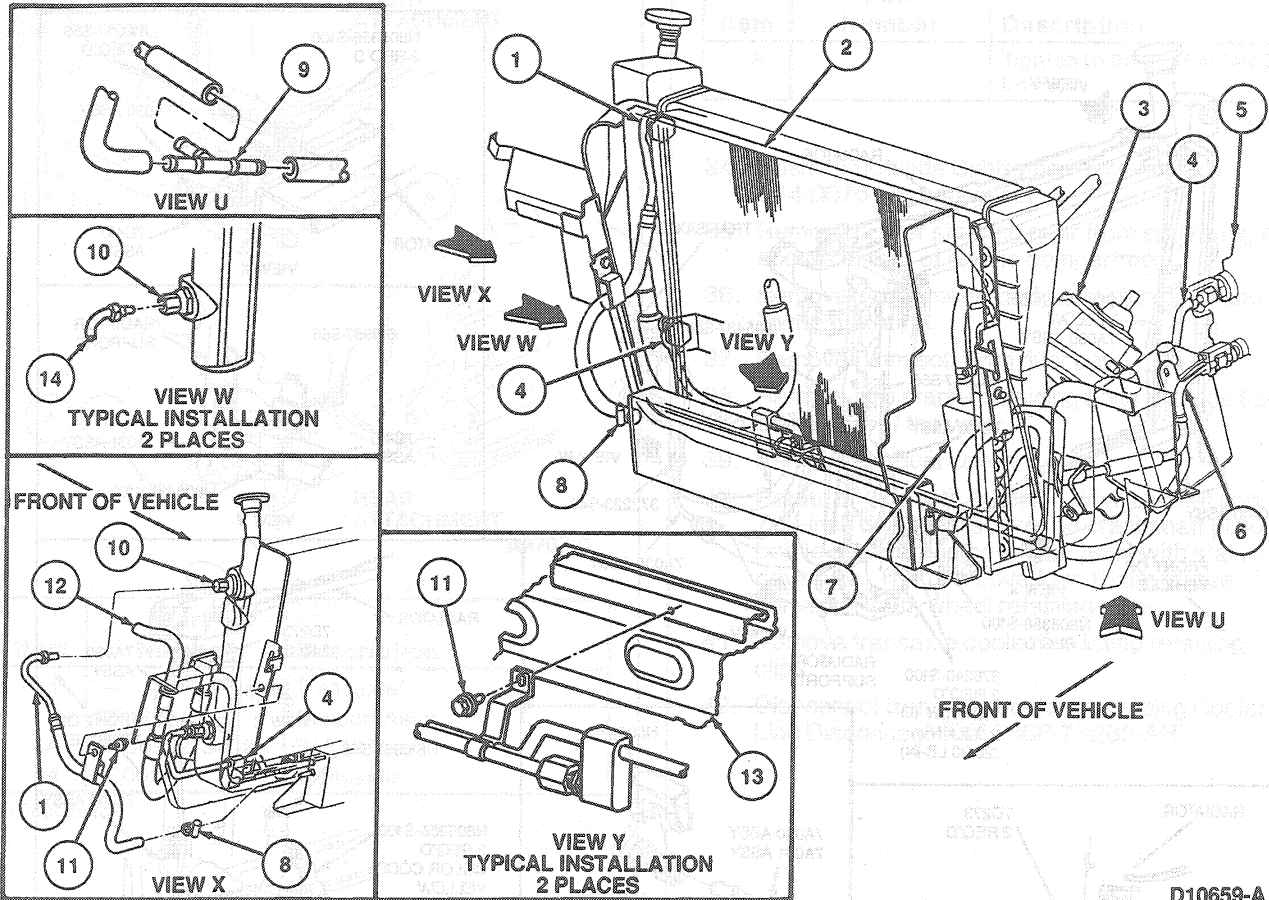


REMOVAL (Continued)

3.2L SHO



D10659-A

Item	Part Number	Description
1	7C410	Cooler Outlet Assy
2	—	Air Conditioning Condenser
3	9C735	Speed Control Servo
4	7A030	Oil Cooler Inlet Tube Assy
5	—	Transaxle
6	7A031	Oil Cooler Outlet Assy
7	—	Power Steering

Item	Part Number	Description
8	376240	Clamp (2 Req'd)
9	7N485	T-Fitting
10	7D273	Oil Cooler Tube Connector
11	N610957-S56	Screw (2 Req'd)
12	—	Air Conditioning Line
13	—	Body
14	—	Typical Oil Line Connection

(Continued)

TD 10659A

43. Remove engine-to-transaxle retaining bolts.
44. Remove speedometer sensor heat shield.  
NOTE: Vehicles with electronic instrument clusters do not use a speedometer cable.
45. Remove vehicle speed sensor (VSS)(9E731) from transaxle.

