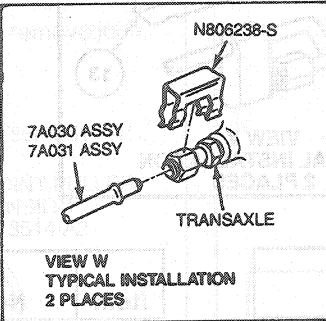
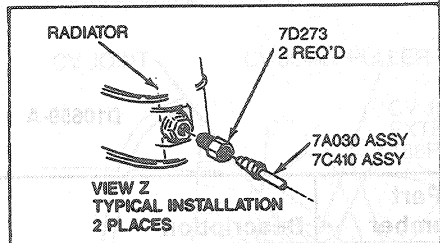
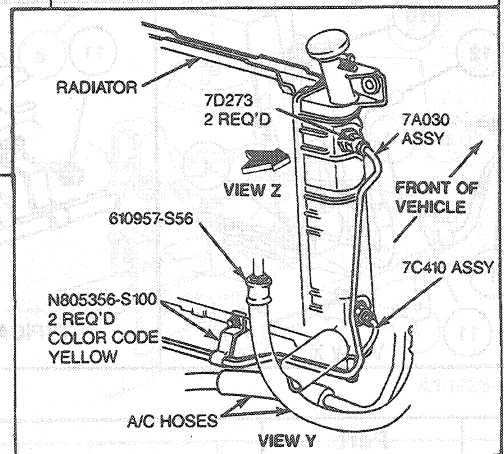
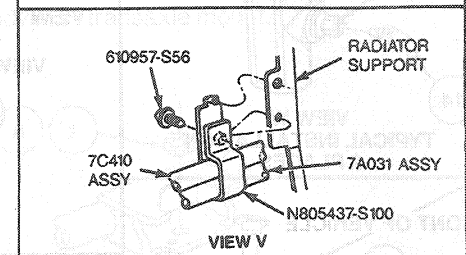
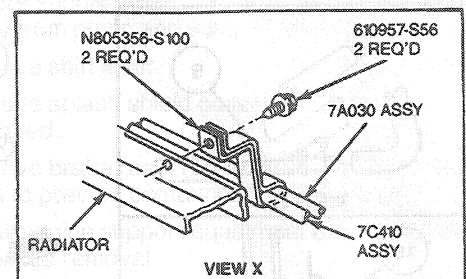
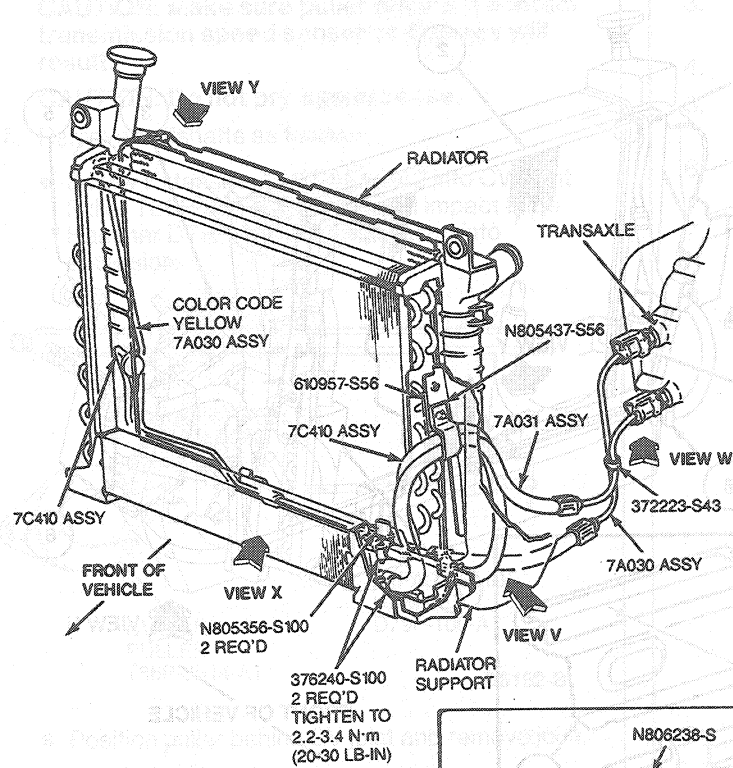
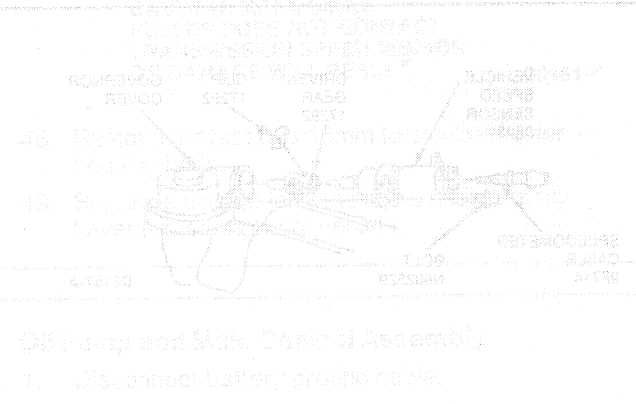


REMOVAL (Continued)

All Except SHO



D7327-A



13. Remove engine to transaxle retaining bolts.
14. Remove evaporator lower heat shield.
- NOTE: Ventilate with glass or plastic when working with Freon.
15. Remove vehicle speed sensor (VSS) (VSS) from transaxle.
16. Remove front axle nut and washer.
17. Remove front axle nut and washer.
18. Remove front axle nut and washer.
19. Remove front axle nut and washer.
20. Remove front axle nut and washer.
21. Remove front axle nut and washer.
22. Remove front axle nut and washer.
23. Remove front axle nut and washer.
24. Remove front axle nut and washer.
25. Remove front axle nut and washer.
26. Remove front axle nut and washer.
27. Remove front axle nut and washer.
28. Remove front axle nut and washer.
29. Remove front axle nut and washer.
30. Remove front axle nut and washer.
31. Remove front axle nut and washer.
32. Remove front axle nut and washer.
33. Remove front axle nut and washer.
34. Remove front axle nut and washer.
35. Remove front axle nut and washer.
36. Remove front axle nut and washer.
37. Remove front axle nut and washer.
38. Remove front axle nut and washer.
39. Remove front axle nut and washer.
40. Remove front axle nut and washer.
41. Remove front axle nut and washer.
42. Remove front axle nut and washer.
43. Remove front axle nut and washer.
44. Remove front axle nut and washer.
45. Remove front axle nut and washer.
46. Remove front axle nut and washer.
47. Remove front axle nut and washer.
48. Remove front axle nut and washer.
49. Remove front axle nut and washer.
50. Remove front axle nut and washer.