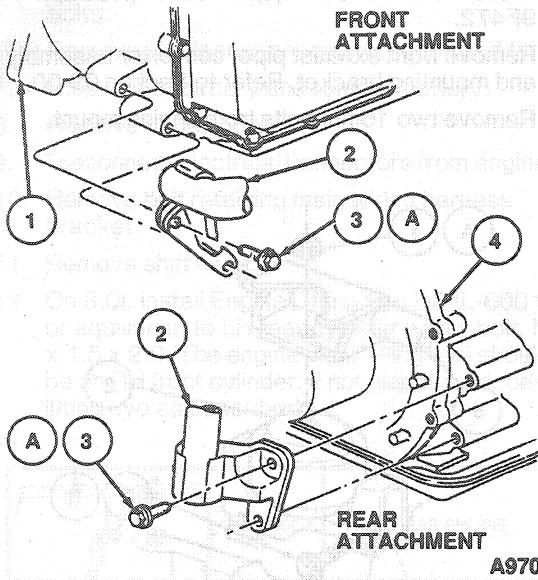


REMOVAL (Continued)

REMOVAL (Continued)



Item	Part Number	Description
A		Tighten to 54-75 N-m (40-55 Lb-Ft)

TA9707C

34. Position Rotunda Subframe Removal Kit 014-00751 or equivalent.
35. Remove power steering gear from subframe, and secure to rear of engine compartment.
36. Remove subframe-to-body retaining bolts and lower subframe.
37. Remove 8mm bolt from dust cover.
38. Remove two starter retaining bolts and position starter out of the way.
39. Remove the dust cover.
40. Rotate engine with 1/2-inch drive ratchet and 7/8-inch deep well socket on crankshaft pulley bolt to align torque converter bolts with starter drive hole. Then, remove four 15mm torque converter-to-flywheel retaining nuts.
41. Remove transaxle cooler line fitting retaining clips.
42. Disconnect transaxle cooler lines using Cooler Line Disconnect Tool T86P-77265-AH.

Item	Part Number	Description
1	—	Transaxle
2	6F065	Support Assy
3A	N605922-S102	Bolt (2 Req'd)
4	07002	Transaxle

(Continued)

