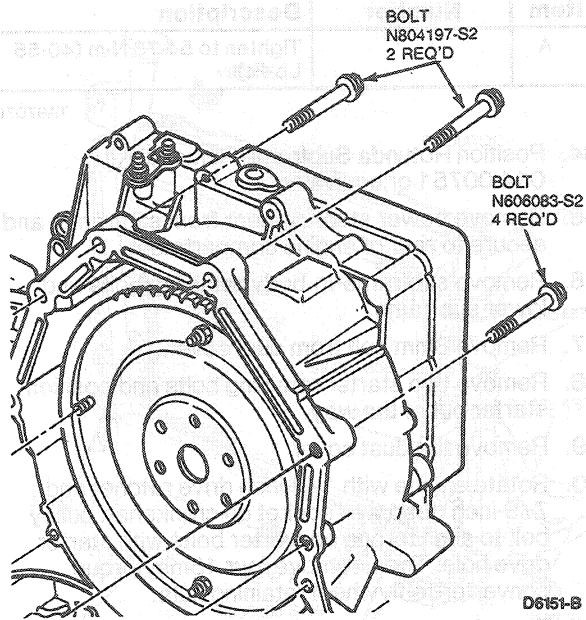
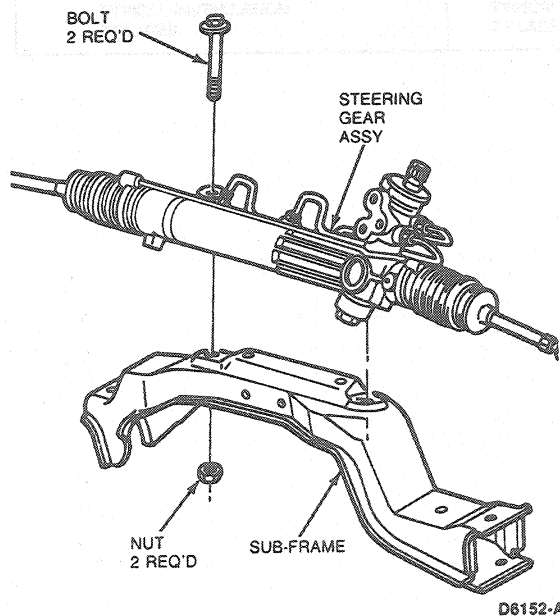


REMOVAL (Continued)

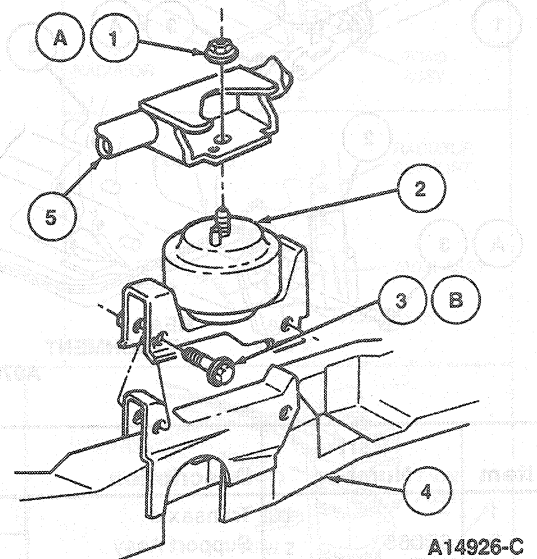
23. Remove front wheel and tire assemblies.



- 24. Disconnect LH and RH outer tie rod ends.
- 25. Disconnect brake line support brackets.
- 26. Remove retaining bolts from front stabilizer bar assembly.
- 27. Disconnect RH lower arm assembly.
- 28. Disconnect LH lower arm assembly.
- 29. Remove retaining nuts from steering gear assembly.



- 30. Disconnect Heated Oxygen Sensor (HO2S) 9F472.
- 31. Remove front exhaust pipe, converter assembly and mounting bracket. Refer to Section 09-00.
- 32. Remove two 15mm bolts from engine mount.



Item	Part Number	Description
1A	N800937-S102	Nut
2	6F063(LH)	Engine Mount Assy
3B	N804749-S100	Bolt (2 Req'd)
4	—	Frame
5	6F065	Support Assy
A		Tighten to 74-102 N·m (55-75 Lb·Ft)
B		Tighten to 81-116 N·m (60-85 Lb·Ft)

TA14926C

33. Remove four 15mm bolts from LH engine support and remove support.