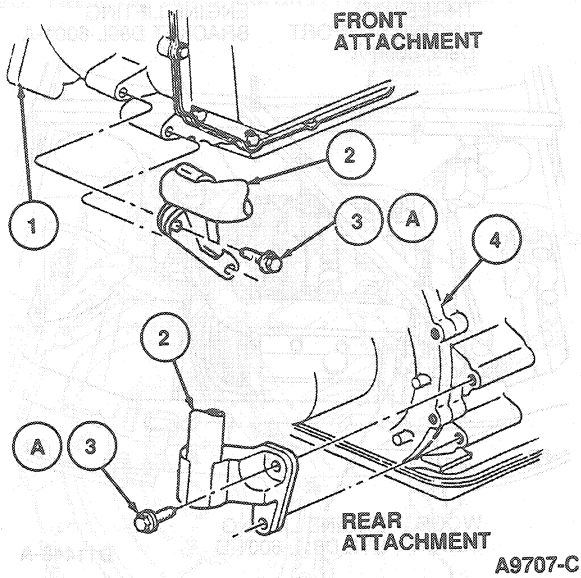


REMOVAL (Continued)



Item	Part Number	Description
1	—	Transaxle
2	6F065	Support Assy
3A	N605922-S102	Bolt (2 Req'd)
4	07002	Transaxle
A		Tighten to 54-75 N-m (40-55 Lb-Ft)

TA9707C

17. Position drain pan and remove remaining transaxle side pan bolts and remove pan.
18. Install a new gasket.
19. Carefully install side pan.
20. Loosely install two upper pan bolts.
21. Verify proper gasket position.
22. Install remaining pan bolts and tighten to 14-16 N-m (10-12 lb-ft).
23. Install LH engine mounts and supports. Refer to Transaxle Removal and Installation.
24. Tighten two LH subframe retaining bolts to specification.
25. Install inner fender cover.
26. Install LH wheel and tire assembly.
27. Remove support from engine and transaxle assembly and lower vehicle.
28. Install radiator sight shield.
29. Remove engine support equipment.
30. Install brake reservoir hose.
31. Position supply hoses, vacuum lines and wiring in position.
32. Install manual lever position sensor.
33. Install remote air cleaner.

34. Install battery tray and battery.
35. Raise vehicle on a hoist or jackstands. Refer to Section 00-02.
36. Place a drain pan under transaxle.
37. Loosen lower pan retaining bolts and drain fluid from transaxle.
38. When fluid has drained to level of pan flange, remove rest of pan bolts working from the RH side and allow it to drop and drain slowly.
39. When all fluid has drained from transaxle, remove and thoroughly clean pan. Discard gasket.
40. Remove and replace filter.
41. Place a new gasket on pan and install pan on transaxle.
42. Remove oil cooler return line at cooler and place a suitable hose on oil return line to divert fluid into drain pan.
43. Lower vehicle.
44. Overfill transaxle with 11.36 litres (12 qts) of specified transmission fluid.
45. Start vehicle and run for four minutes.
46. Shut OFF engine.
47. Raise vehicle.
48. Reconnect cooler line.
49. Add 2.36 litres (2.5 qts) of specified transmission fluid.
50. Start engine and bring up to operating temperature. Check transaxle fluid and add as necessary.

Transaxle

Tools Required:

- CV Joint Puller T86P-3514-A1
- CV Joint Puller Extension T86P-3514-A2
- Cooler Line Disconnect Tool T86P-77265-AH
- Impact Slide Hammer D79P-100-A
- Engine Lifting Eyes D81L-6001-D
- Three Bar Engine Support D88L-6000-A
- Engine Lifting Bracket D89L-6001-A
- Rotunda Subframe Removal Kit 014-00751

Removal

Before beginning the Removal procedure, perform the following preliminary Steps:

1. Position the vehicle on a hoist. Refer to Section 00-02.
2. Place a drain pan under transaxle.
3. Loosen lower pan retaining bolts and drain fluid from transaxle.
4. When fluid has drained to level of pan flange, remove rest of pan bolts working from the RH side and allow it to drop and drain slowly.