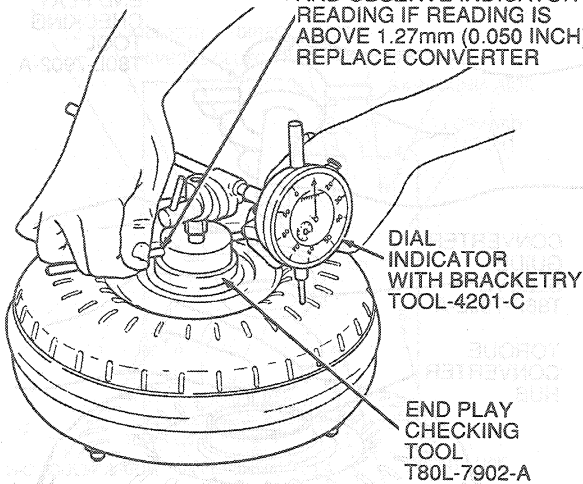


## DIAGNOSIS AND TESTING (Continued)

If indicator reading is above 1.27mm (0.05 inch), replace the converter.

LIFT ON TOOL HANDLES AND OBSERVE INDICATOR READING IF READING IS ABOVE 1.27mm (0.050 INCH) REPLACE CONVERTER



D6223-C

## REMOVAL

## Transaxle Fluid Drain and Refill

Normal maintenance and lubrication requirements do not necessitate periodic automatic transaxle fluid changes. If a major service, such as a clutch band, bearing, etc., is required in the transaxle, it will have to be removed for service. **At this time the converter, transaxle cooler and cooler lines must be thoroughly flushed to remove any dirt.**

When used under continuous or severe conditions the transaxle and torque converter should be drained and refilled with fluid as specified.

**CAUTION: Use of a fluid other than specified could result in transaxle malfunction and/or failure.**

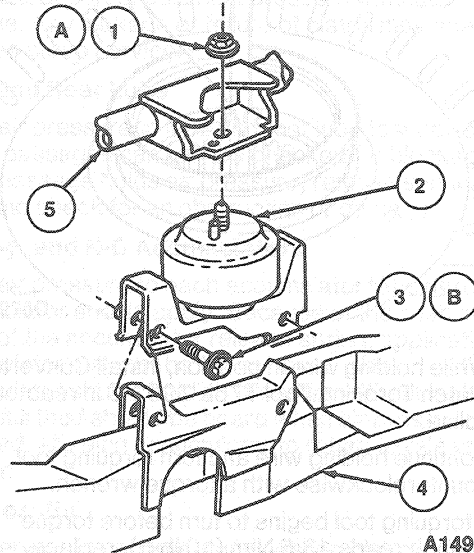
Refer to Vehicle Certification Label affixed to left front door lock face panel or door pillar for transaxle code.

When filling a dry transaxle and converter, refer to Specifications for capacity. Check the fluid level.

Procedures for drain and refill, due to in-vehicle service operation, are as follows:

1. Disconnect battery ground cable.
2. Remove battery and battery tray.
3. Secure supply hoses, vacuum lines and wiring away from pump and valve body cover.
4. Remove shift lever.
5. Remove splash shield cover from ABS if equipped.

6. Remove brake reservoir hose from ABS and cap ends to prevent contamination, if equipped.
7. Install engine support equipment as outlined under Transaxle Removal.
8. Remove LH transaxle mount.



A14926-C

Item	Part Number	Description
1A	N800937-S102	Nut
2	6F063(LH)	Engine Mount Assy
3B	N804749-S100	Bolt (2 Req'd)
4	—	Frame
5	6F065	Support Assy
A		Tighten to 74-102 N·m (55-75 Lb·Ft)
B		Tighten to 81-116 N·m (60-85 Lb·Ft)

TA14926C

9. Remove transaxle side pan upper retaining bolts.
10. Raise vehicle on hoist. Refer to Section 00-02.
11. Remove LH front wheel and tire assembly.
12. Remove inner fender cover and position out of way.
13. Remove rear transaxle mount bolt.
14. Loosen two LH subframe retaining bolts.
15. Remove two engine support mount bolts.
16. Remove four bolts retaining LH engine support and remove support.