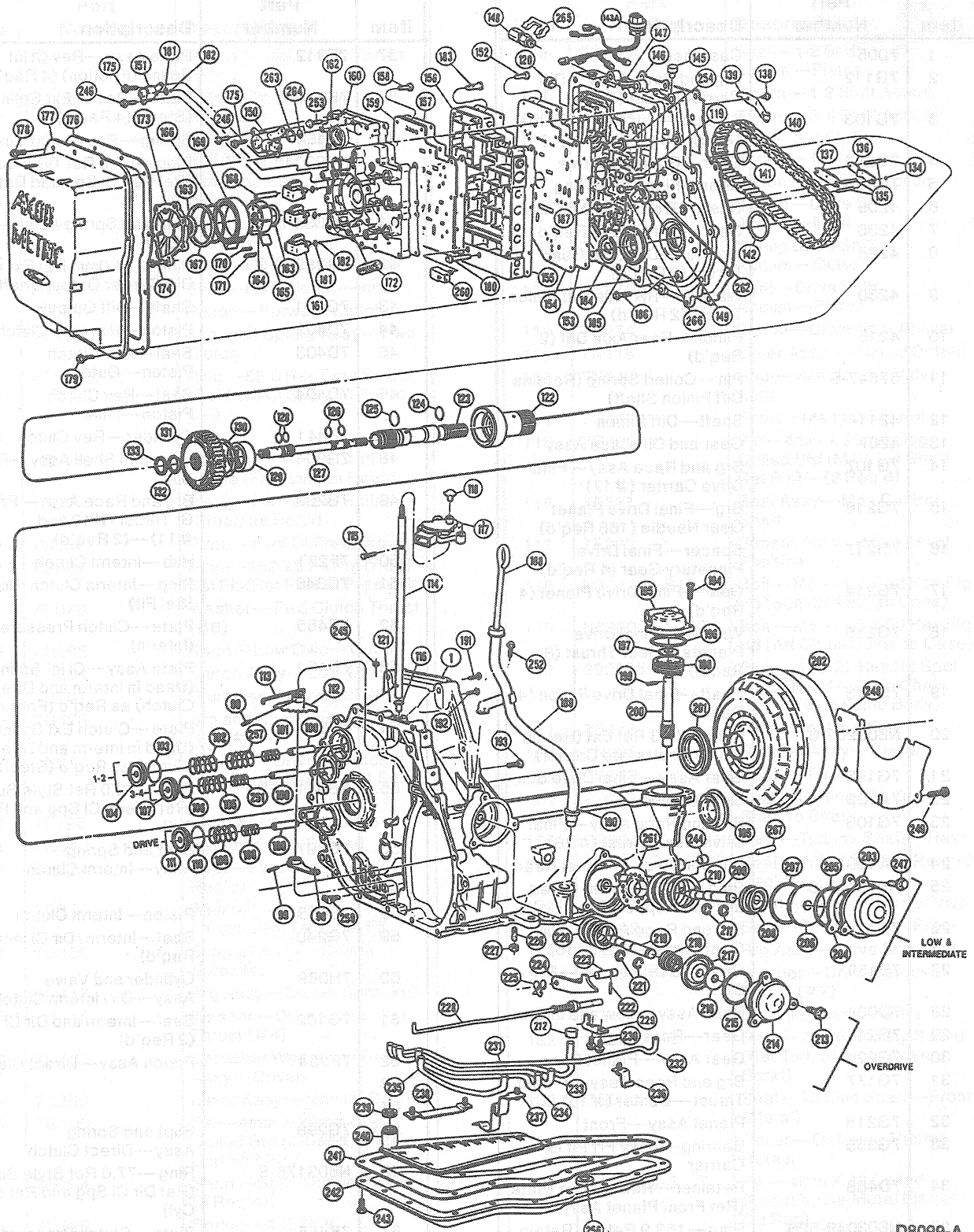


DESCRIPTION AND OPERATION (Continued)



D8099-A