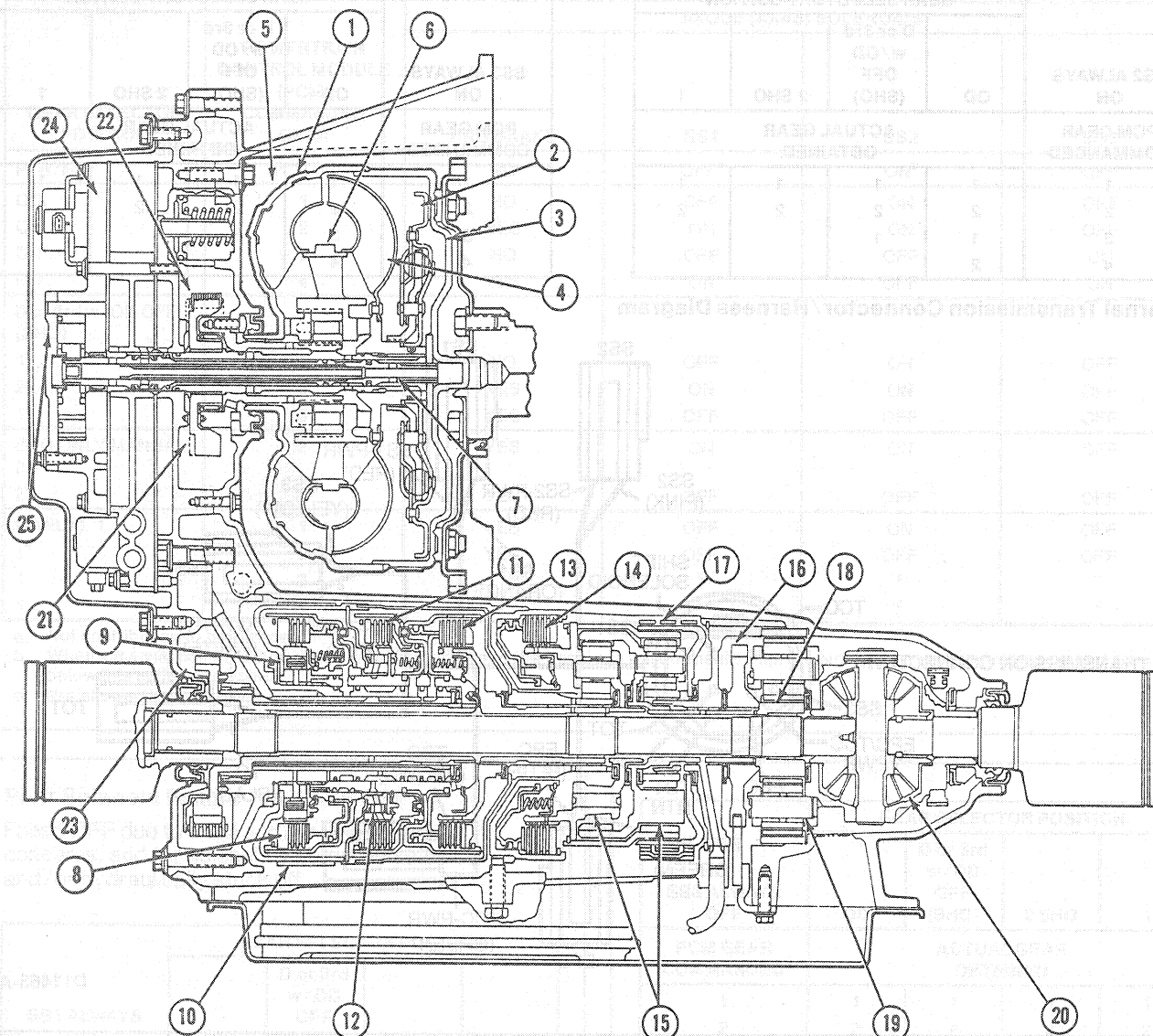


DESCRIPTION AND OPERATION (Continued)

DESCRIPTION AND OPERATION (Continued)



ITEM	DESCRIPTION
1.	TORQUE CONVERTER
2.	TORQUE CONVERTER CLUTCH (PISTON PLATE CLUTCH AND DAMPER ASSEMBLY)
3.	CONVERTER COVER
4.	TURBINE
5.	IMPELLER
6.	REACTOR
7.	OIL PUMP DRIVESHAFT
8.	FORWARD CLUTCH
9.	LOW ONE-WAY CLUTCH
10.	OVERDRIVE BAND
11.	DIRECT CLUTCH
12.	DIRECT ONE-WAY CLUTCH

ITEM	DESCRIPTION
13.	INTERMEDIATE CLUTCH
14.	REVERSE CLUTCH
15.	PLANETARY GEARS
16.	PARKING GEAR
17.	LOW/INTERMEDIATE BAND
18.	FINAL DRIVE SUN GEAR
19.	FINAL DRIVE PLANET
20.	DIFFERENTIAL ASSEMBLY
21.	DRIVE SPROCKET
22.	DRIVE LINK ASSEMBLY (CHAIN)
23.	DRIVEN SPROCKET
24.	VALVE BODY (MAIN CONTROL ASSEMBLY)
25.	OIL PUMP

D6168-D